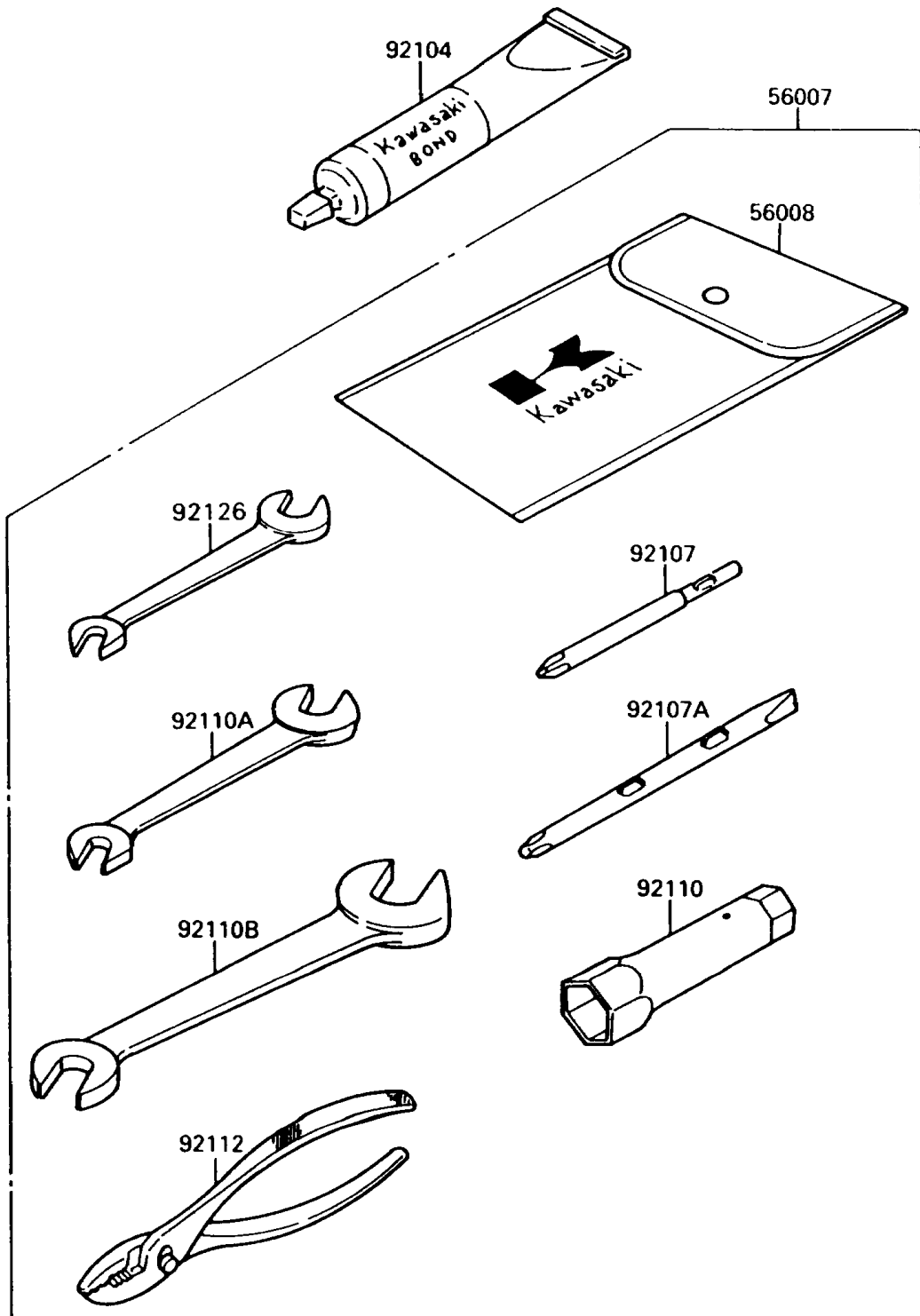


1988 300 SX

PARTS DIAGRAM

Owner's Tools

(F3182)



1988 300 SX

PARTS LIST

Owner's Tools

Kawasaki

Let the Good Times Roll®

ITEM NAME

PART NUMBER

QUANTITY
