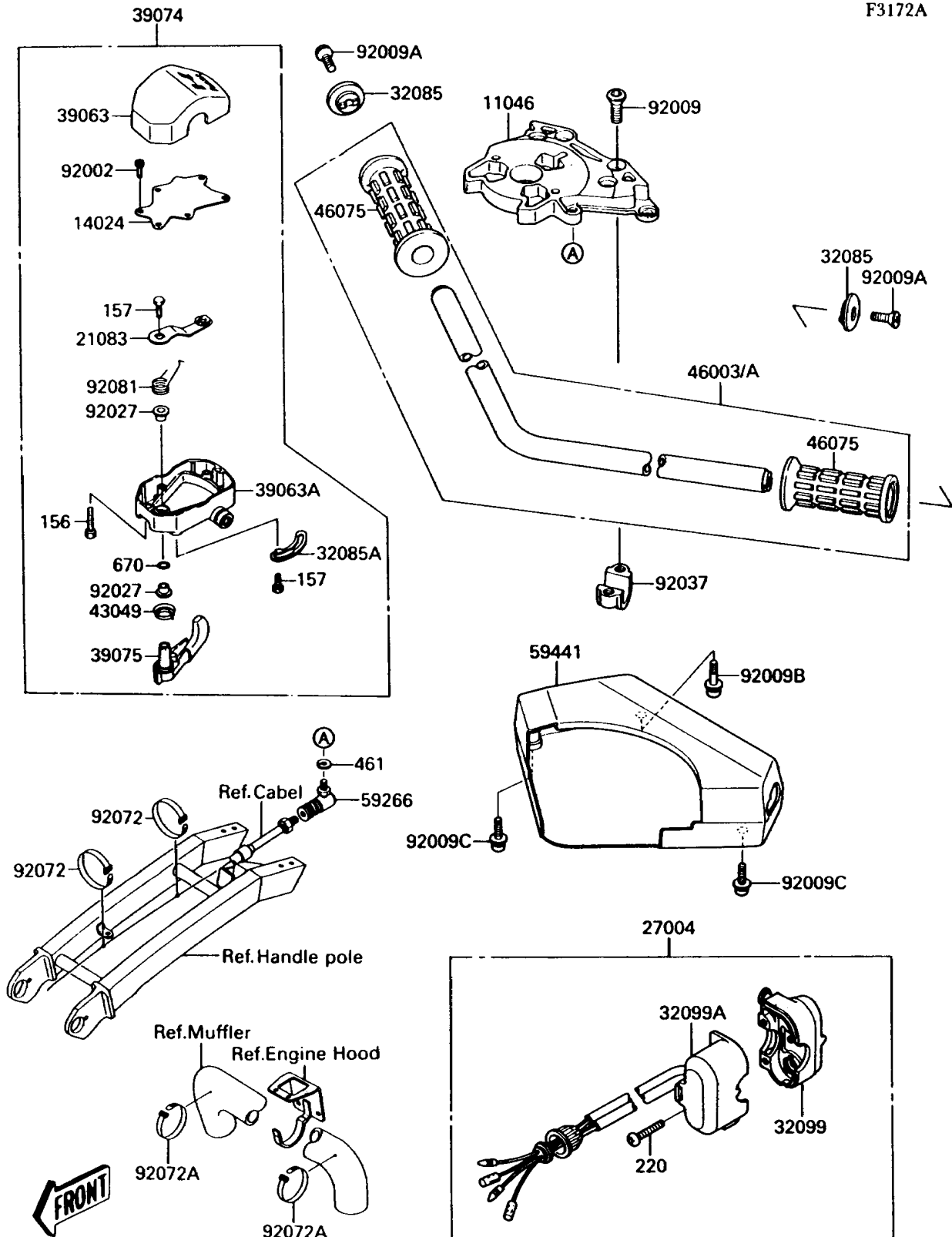


1988 300 SX

PARTS DIAGRAM

Handlebar(JS300-A2/A3/A4)



1988 300 SX

PARTS LIST

Handlebar(JS300-A2/A3/A4)

ITEM NAME

PART NUMBER

QUANTITY
