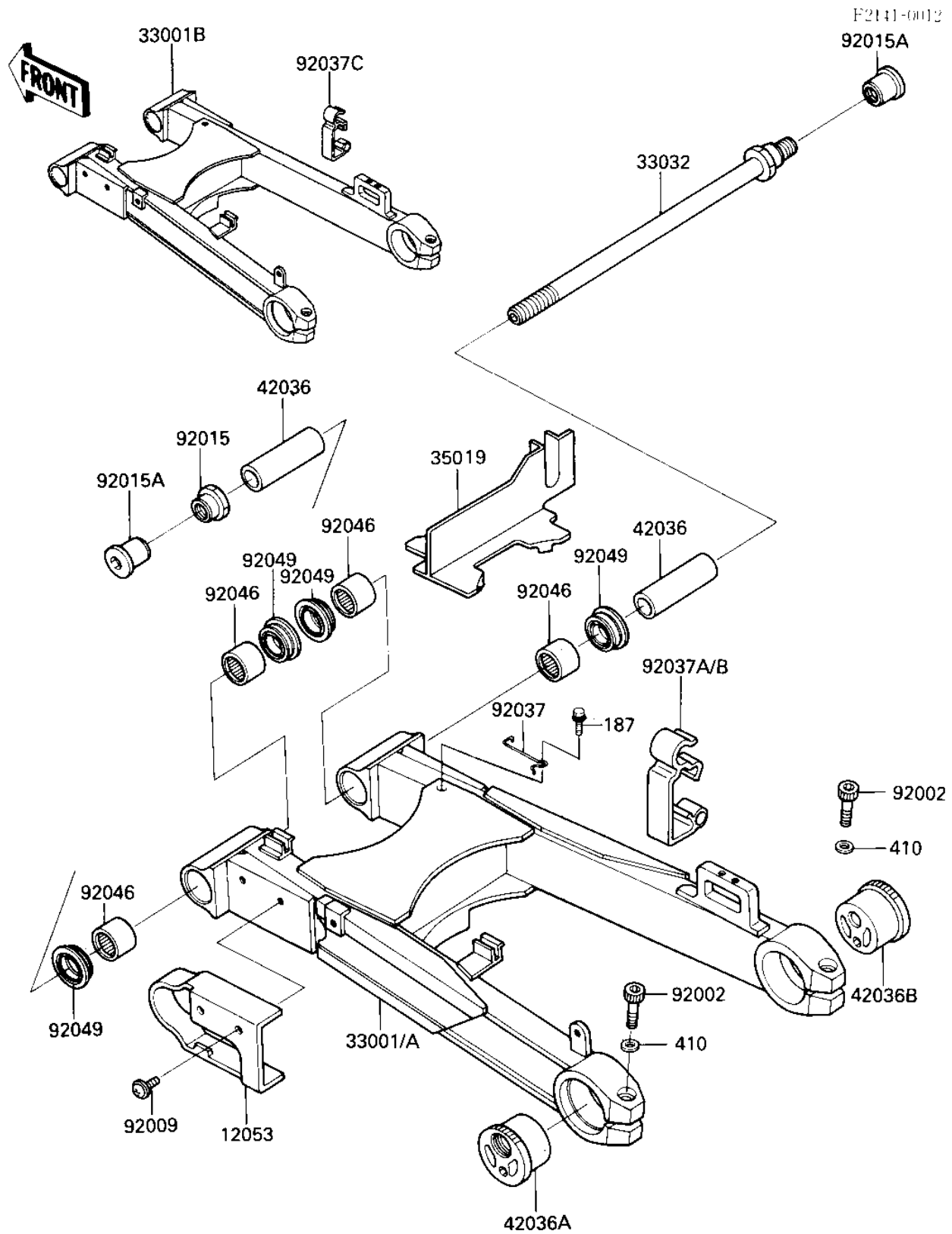


1986 Ninja[®]

PARTS DIAGRAM

SWING ARM



1986 Ninja®

PARTS LIST

SWING ARM

ITEM NAME	PART NUMBER	QUANTITY
GUIDE-CHAIN (Ref # 12053)	12053-1119	1
ARM-COMP-SWING,SILVER (Ref # 33001)	33001-1231-P1	1
ARM-COMP-SWING,SILVER (Ref # 33001A)	33001-1231-P1	1
ARM-COMP-SWING,SILVER (Ref # 33001B)	33001-1266-P1	1
SHAFT-SWING ARM (Ref # 33032)	33032-1105	1
FLAP,SWING ARM (Ref # 35019)	35019-1124	1
SLEEVE,SWING ARM (Ref # 42036)	42036-1114	2
SLEEVE,AXLE,RH (Ref # 42036A)	42036-1147	1
SLEEVE,AXLE,RH (Ref # 42036B)	42036-1148	1
BOLT (Ref # 92002)	92002-1452	2
SCREW,6X10 (Ref # 92009)	92009-1286	2
NUT,SWING ARM SHAFT (Ref # 92015)	92015-1333	1
NUT,SWING ARM (Ref # 92015A)	92015-1334	2
CLAMP (Ref # 92037)	92037-1565	1
CLAMP,BRAKE HOSE (Ref # 92037A)	92037-1674	2
CLAMP,BRAKE HOSE (Ref # 92037B)	92037-1674	2
CLAMP,HOSE (Ref # 92037C)	92037-1758	2
BEARING-NEEDLE (Ref # 92046)	92046-1035	4
SEAL-OIL (Ref # 92049)	92049-1166	4
BOLT-UPSET-WSP (Ref # 187)	187D0610	1
W-PLAIN-S (Ref # 410)	410E1000	2