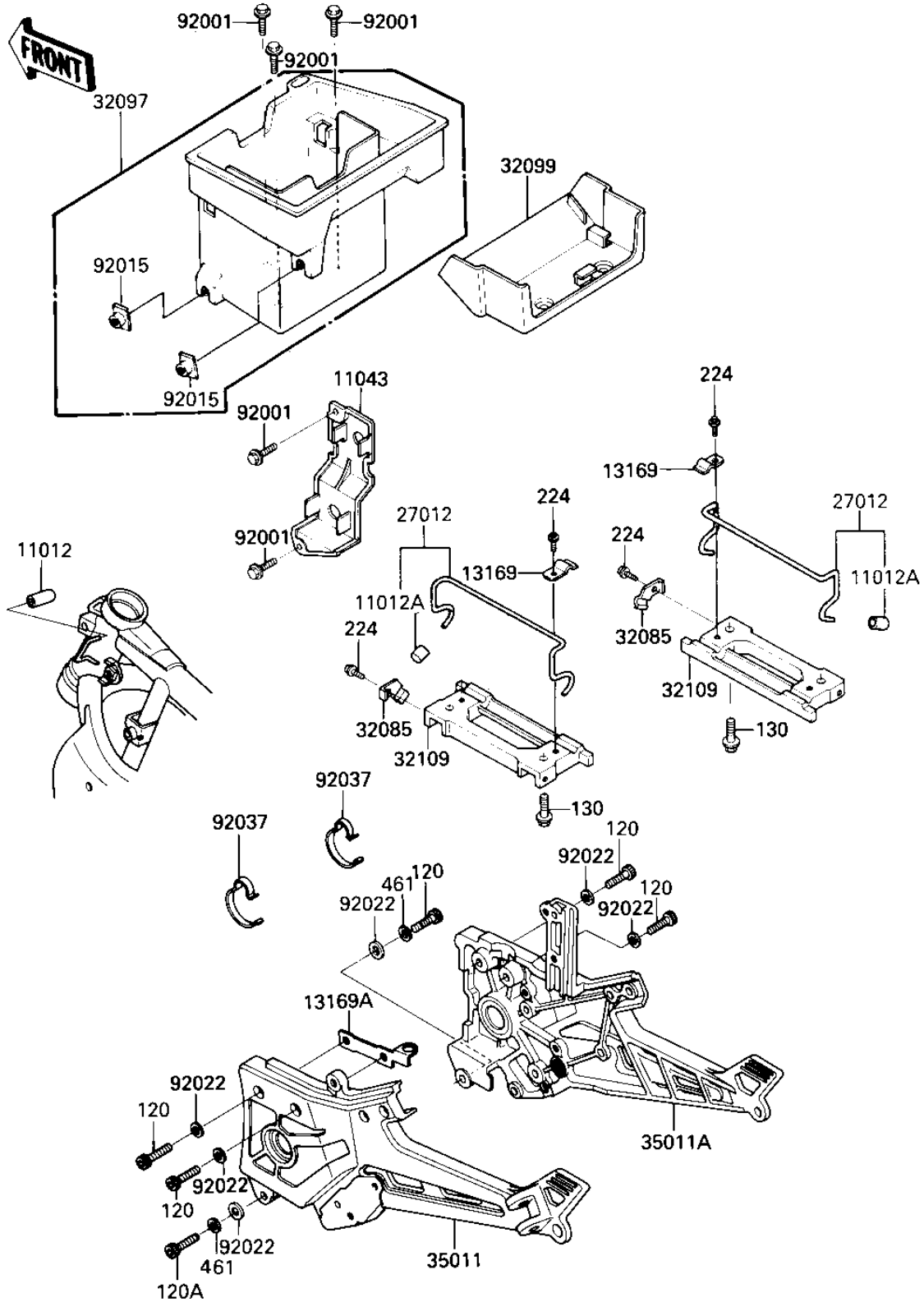


1986 Ninja®

PARTS DIAGRAM

BATTERY CASE/ELECTRO BRACKET

F2132-0136



1986 Ninja®

PARTS LIST

BATTERY CASE/ELECTRO BRACKET

ITEM NAME	PART NUMBER	QUANTITY
CAP,CABLE CLAMP (Ref # 11012)	11012-1438	1
CAP,BUNGEE CORD HOOK (Ref # 11012A)	11012-1589	4
BRACKET,ELECTRIC (Ref # 11043)	11043-1419	1
PLATE,GRIP (Ref # 13169)	13169-1760	4
PLATE,STAY,UPP,LH (Ref # 13169A)	13169-1928	1
HOOK,GRIP (Ref # 27012)	27012-1311	2
STOPPER,HOOK (Ref # 32085)	32085-1187	2
CASE-BATTERY (Ref # 32097)	32097-1102	1
CASE,SEAT COVER (Ref # 32099)	32099-1064	1
GRIP-FRAME (Ref # 32109)	32109-1108	2
STAY,MUFFLER,LH (Ref # 35011)	35011-1214	1
STAY,MUFFLER,RH (Ref # 35011A)	35011-1215	1
BOLT,6X12 (Ref # 92001)	92001-1771	5
NUT,FLANGED,6MM (Ref # 92015)	92015-1303	2
WASHER,8.5X16X2.5 (Ref # 92022)	92022-1595	6
CLAMP (Ref # 92037)	92037-1552	2
BOLT (Ref # 120)	120P0835	5
BOLT,ALLEN,8X45 (Ref # 120A)	120P0845	1
BOLT,FLANGED,8X14 (Ref # 130)	130G0814	4
SCREW-PAN-WP-CROS (Ref # 224)	224C0508	6
WASHER SPRING 8MM (Ref # 461)	461F0800	2