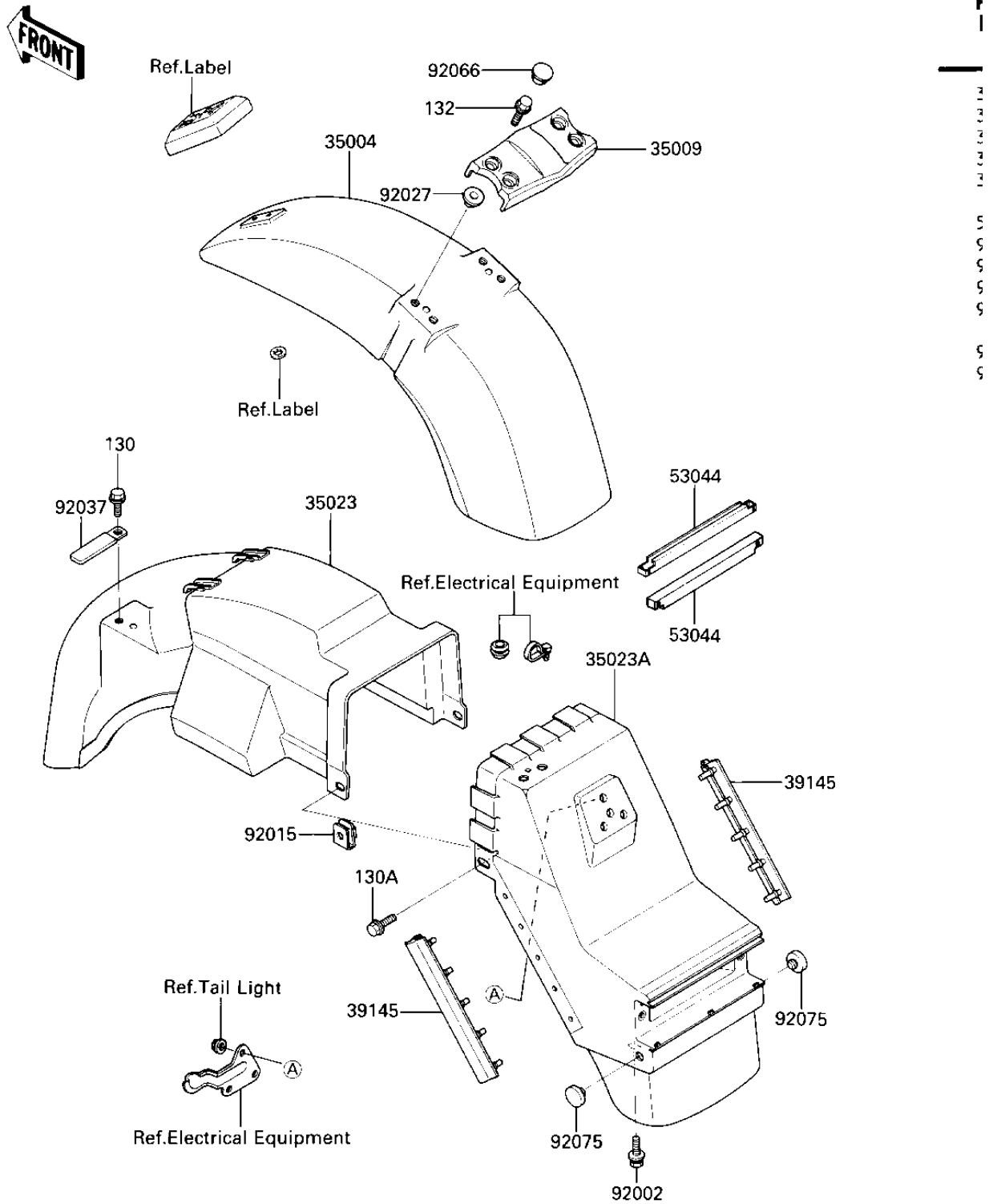


1986 Voyager XII

PARTS DIAGRAM

FENDERS

F2170-9326



1986 Voyager XII

PARTS LIST

FENDERS

ITEM NAME	PART NUMBER	QUANTITY
FENDER-FRONT,L.V.RED (Ref # 35004)	35004-1180-P5	1
BRACE,FRONT FENDER (Ref # 35009)	35009-1060	1
FENDER-REAR,FR (Ref # 35023)	35023-1148	1
FENDER-REAR,RR,L.V.RE (Ref # 35023A)	35023-1149-P5	1
TRIM-SEAL,REAR FENDER (Ref # 39145)	39145-1070	2
TRIM (Ref # 53044)	53044-1183	2
BOLT,6X20 (Ref # 92002)	92002-1246	2
NUT,CASSETTE DECK (Ref # 92015)	92015-1248	2
COLLAR,FUEL TANK (Ref # 92027)	92027-1745	4
CLAMP,WIRING HARNESS (Ref # 92037)	92037-1069	1
PLUG,18.3X4.5 (Ref # 92066)	92066-1234	4
DAMPER RUBB MAIN STND (Ref # 92075)	92075-005	2
BOLT (Ref # 130)	130B0614	2
BOLT,FLANGED,6X20 (Ref # 130A)	130B0620	2
BOLT-FLANGED-SMALL (Ref # 132)	132G0835	4