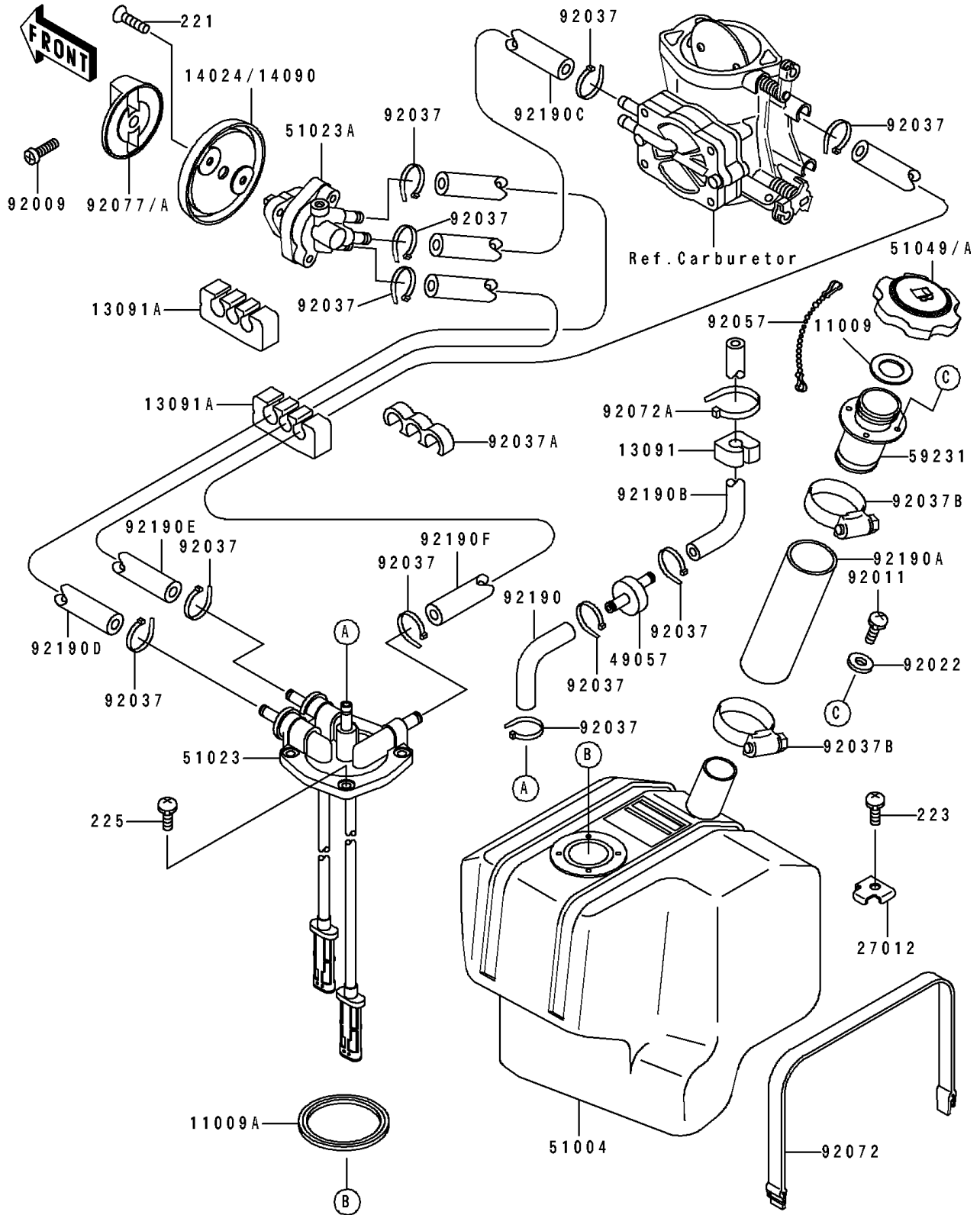


# 1995 SC

## PARTS DIAGRAM

### Fuel Tank

F 3173



# 1995 SC

## PARTS LIST

### Fuel Tank

**ITEM NAME**

**PART NUMBER**

**QUANTITY**

---