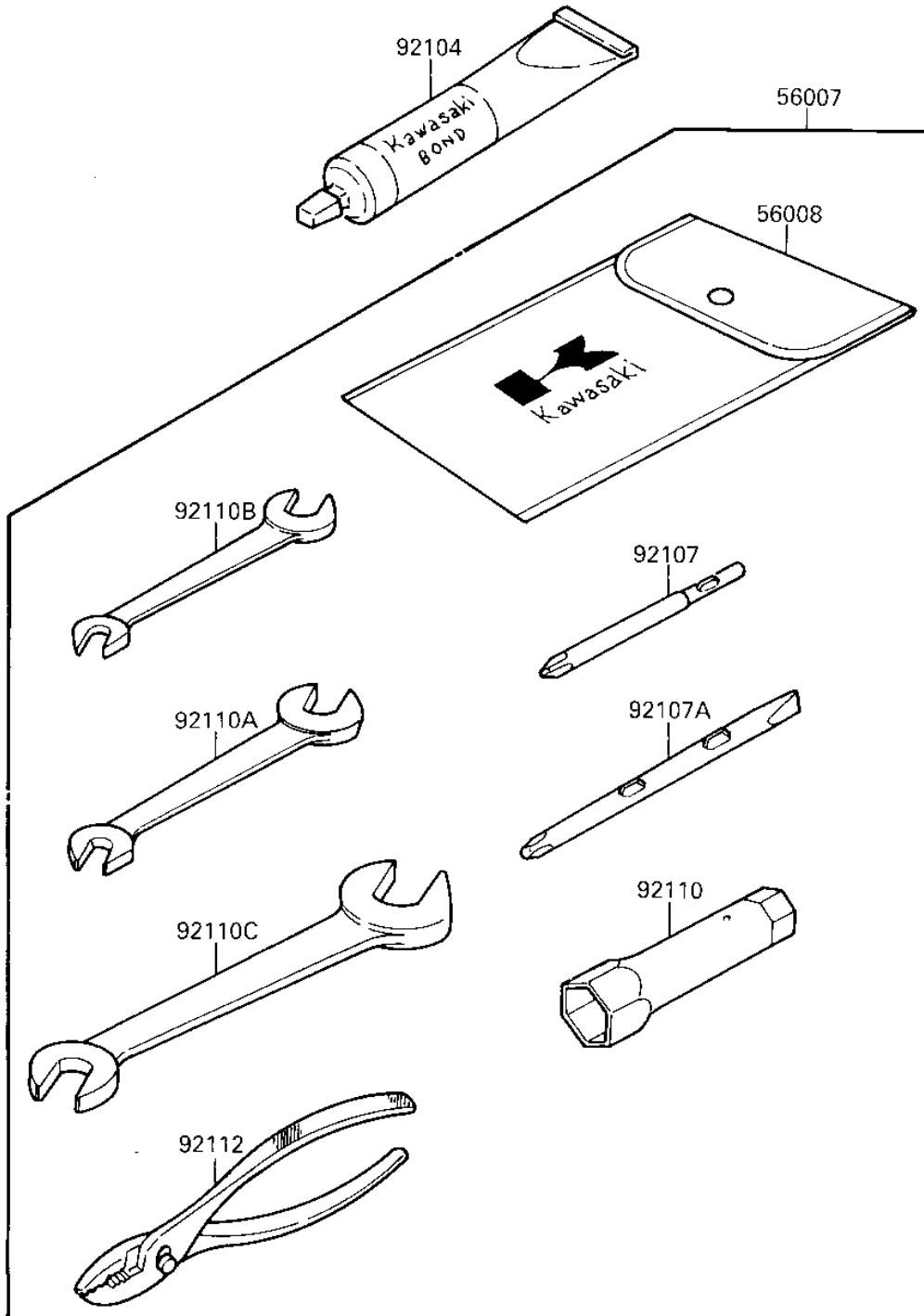


1987 X2

PARTS DIAGRAM

OWNER TOOLS

F3182 3/00



1987 X2

PARTS LIST
OWNER TOOLS

ITEM NAME

PART NUMBER

QUANTITY
