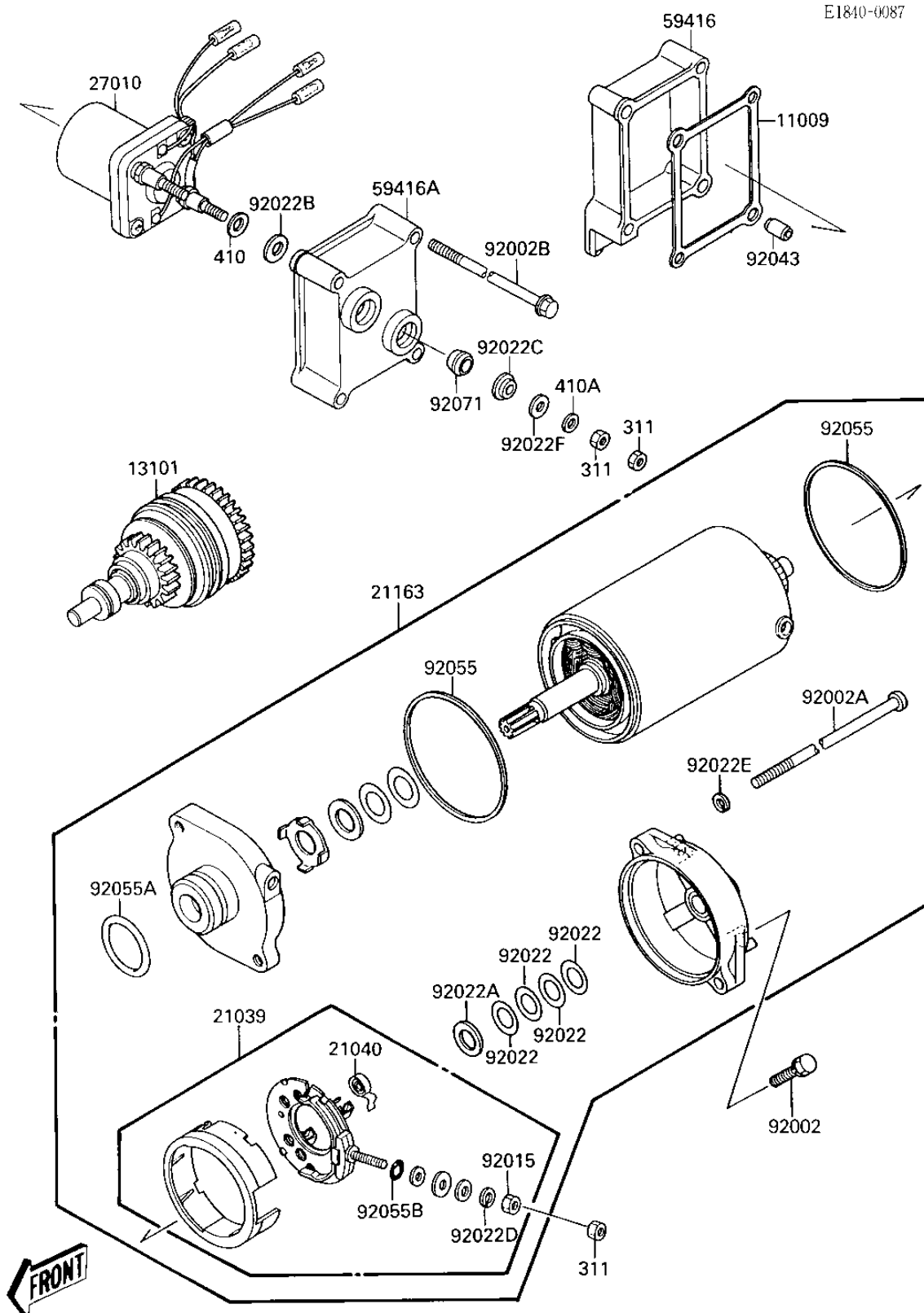


1987 X2

PARTS DIAGRAM

STARTER MOTOR (JF650-A2)



1987 X2

PARTS LIST

STARTER MOTOR (JF650-A2)

ITEM NAME

PART NUMBER

QUANTITY
