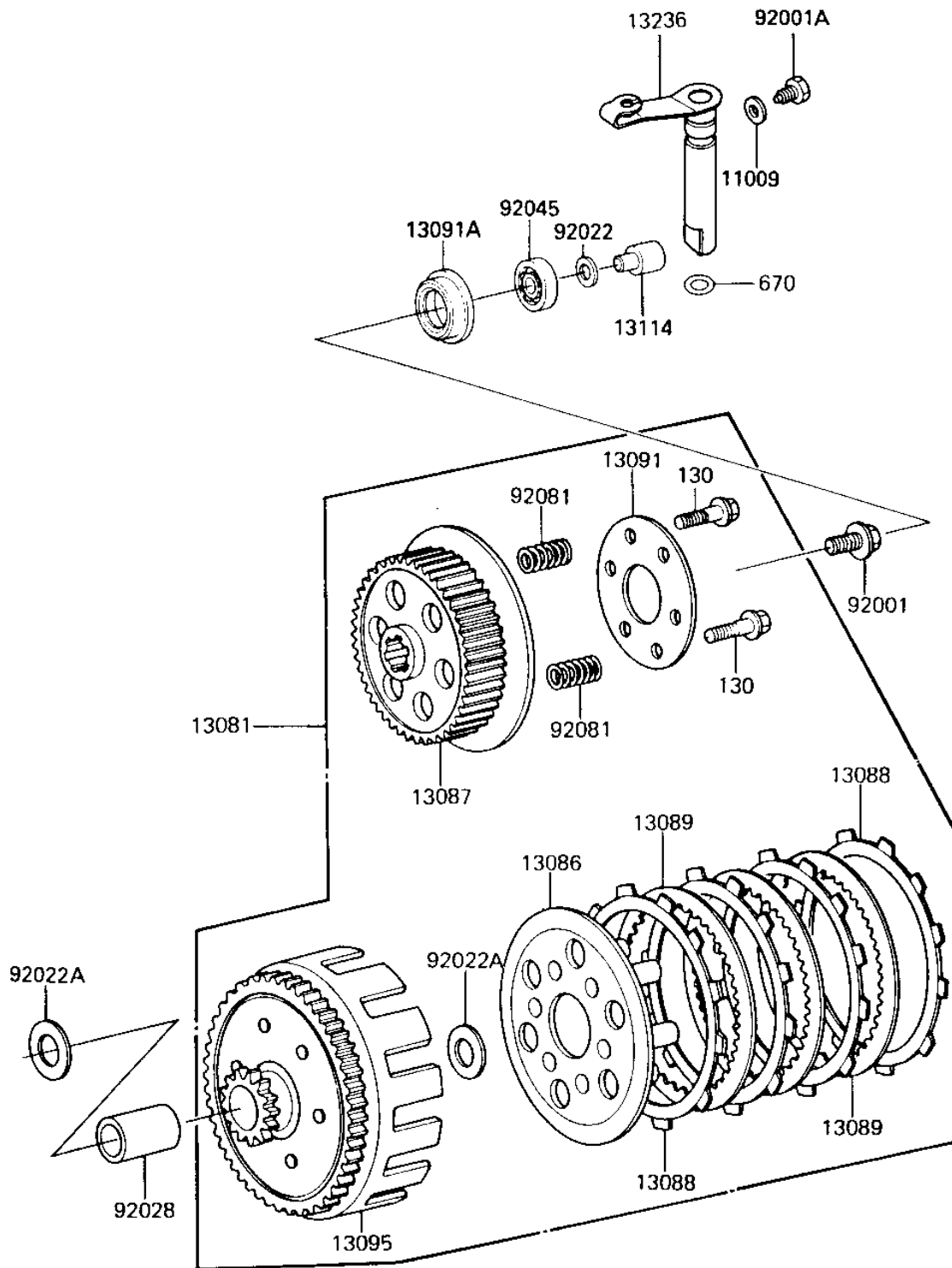


# 1985 KX80

## PARTS DIAGRAM

### CLUTCH ('84 KX80-E2)

E1350-0059



# 1985 KX80

## PARTS LIST

### CLUTCH ('84 KX80-E2)

ITEM NAME	PART NUMBER	QUANTITY
GASKET,R.H ENG COVER (Ref # 11009)	92065-092	1
CLUTCH-ASSY (Ref # 13081)	13081-1153	1
WHEEL,CLUTCH (Ref # 13086)	13086-1002	1
HUB-CLUTCH (Ref # 13087)	13087-1051	1
PLATE,CLUTCH FRICTION (Ref # 13088)	13088-1010	5
PLATE-CLUTCH,STEEL (Ref # 13089)	13089-1009	4
HOLDER,CLUTCH SPRING (Ref # 13091)	13091-1115	1
HOLDER,CLUTCH PUSHER (Ref # 13091A)	13091-1133	1
HOUSING-COMP-CLUTCH (Ref # 13095)	13095-1052	1
PUSHER,CLUTCH (Ref # 13114)	13114-1008	1
LEVER-COMP,CLUTCH REL (Ref # 13236)	13236-1107	1
BOLT (Ref # 92001)	92002-1697	1
BOLT,CLUTCH RELEASE (Ref # 92001A)	92003-130	1
WASHER,7X12.5X0.8 (Ref # 92022)	92022-1290	AR
WASHER,17.3X28X1.0 (Ref # 92022A)	92022-255	2
BUSHING,17X22X21.1 (Ref # 92028)	92028-1149	1
BEARING,BALL #627 (Ref # 92045)	92045-026	1
SPRING,CLUTCH (Ref # 92081)	92081-1175	6
BOLT-FLANGED (Ref # 130)	130P0520	6
"O" RING,9MM (Ref # 670)	670B1509	1