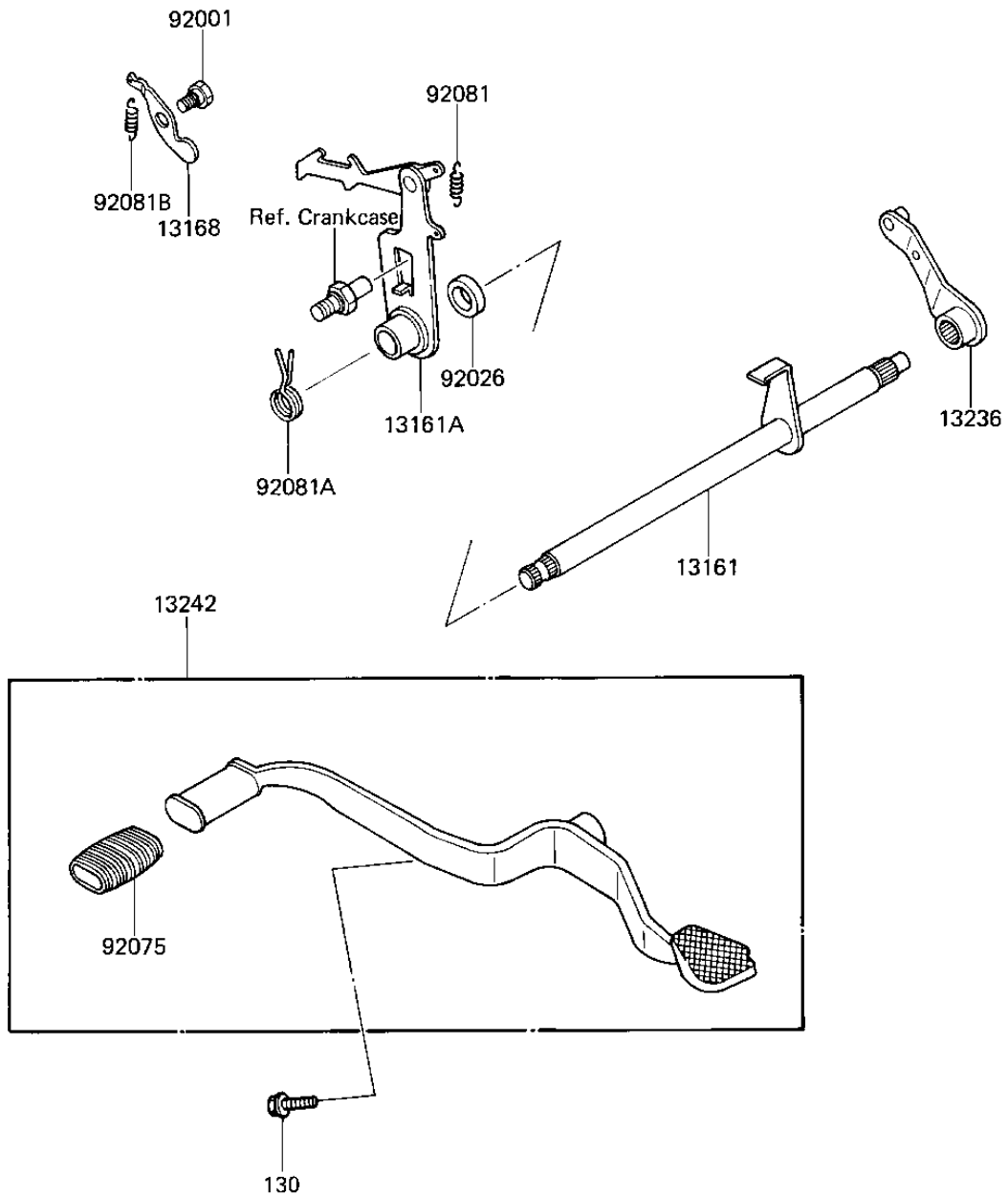


1986 KLT110

PARTS DIAGRAM

GEAR CHANGE MECHANISM

E1370-0116



1986 KLT110

PARTS LIST

GEAR CHANGE MECHANISM

Kawasaki

Let the Good Times Roll®

ITEM NAME

PART NUMBER

QUANTITY
