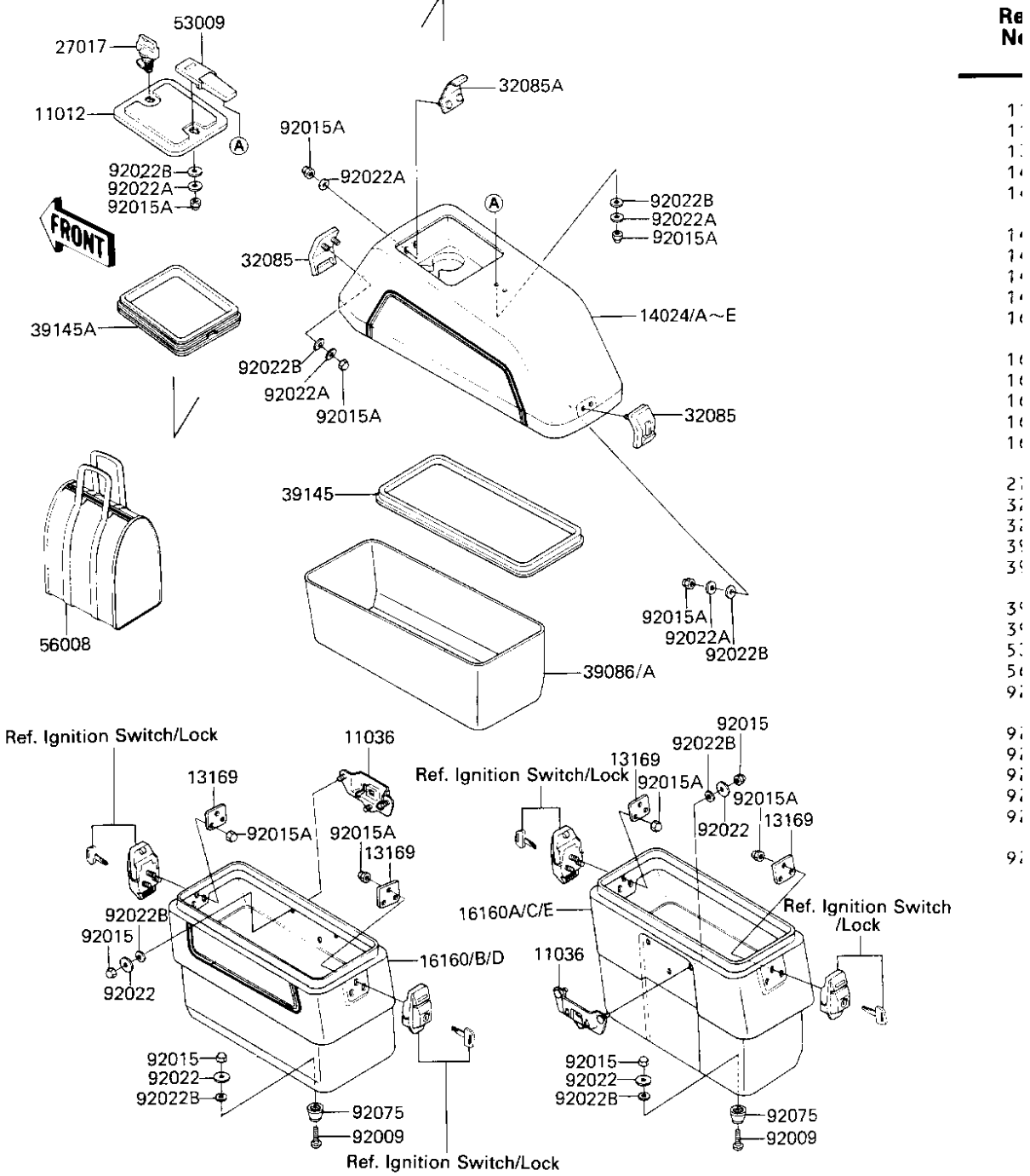


# 1984 Voyager

## PARTS DIAGRAM

### SADDLEBAGS

F2910B-0016



# 1984 Voyager

## PARTS LIST SADDLEBAGS

**ITEM NAME**

**PART NUMBER**

**QUANTITY**

---