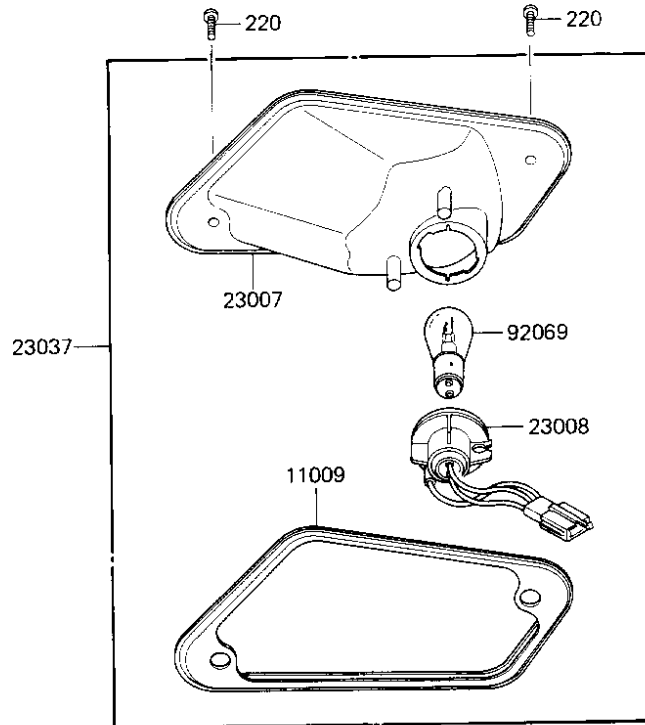


1984 Voyager

PARTS DIAGRAM

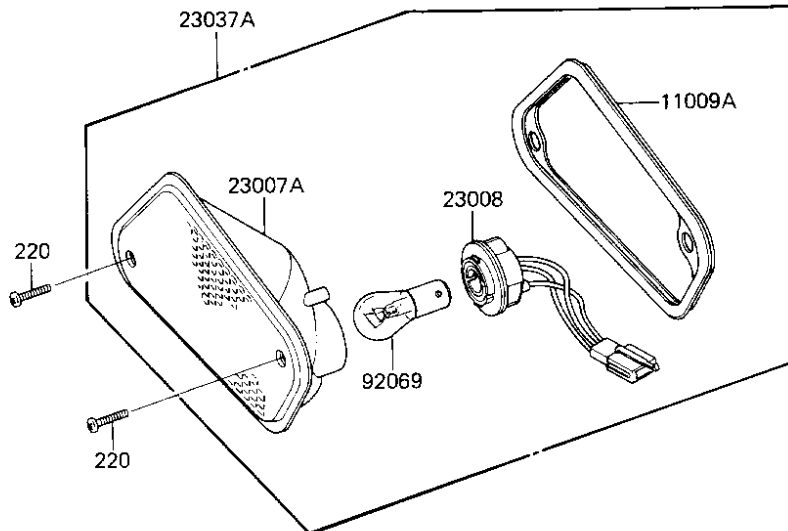
FRONT TURN SIGNALS

F2730-0129



**Re
No**

- 17
- 17
- 23
- 23
- 23
- 23
- 23
- 23
- 94



1984 Voyager

PARTS LIST

FRONT TURN SIGNALS

ITEM NAME

PART NUMBER

QUANTITY
