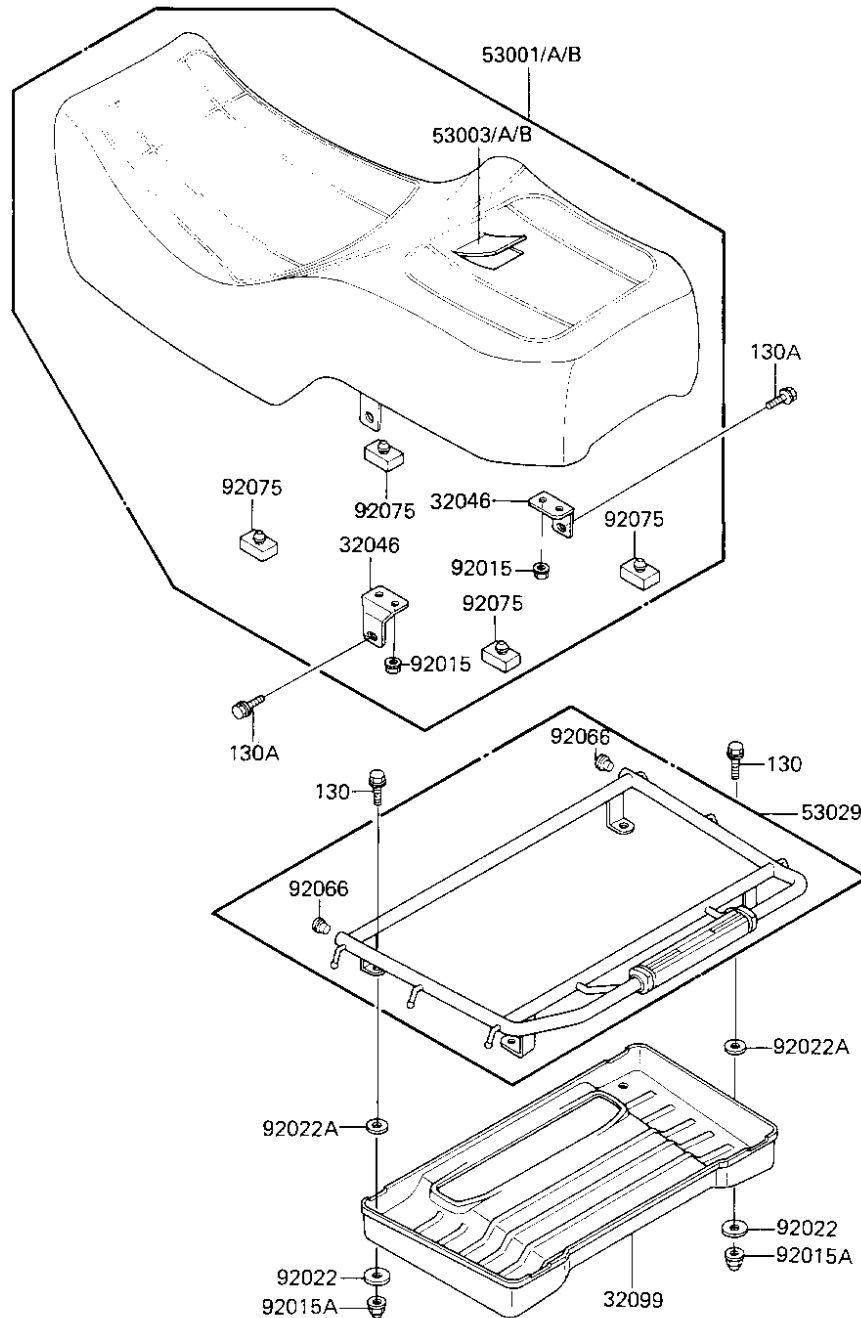


1984 Voyager

PARTS DIAGRAM

SEAT/CARRIER

F 2510-0223



Re
No

3.
3.
5.
5.
5.
5.
5.
9.
9.
9.
9.
9.
9.

1984 Voyager

PARTS LIST SEAT/CARRIER

ITEM NAME

PART NUMBER

QUANTITY
