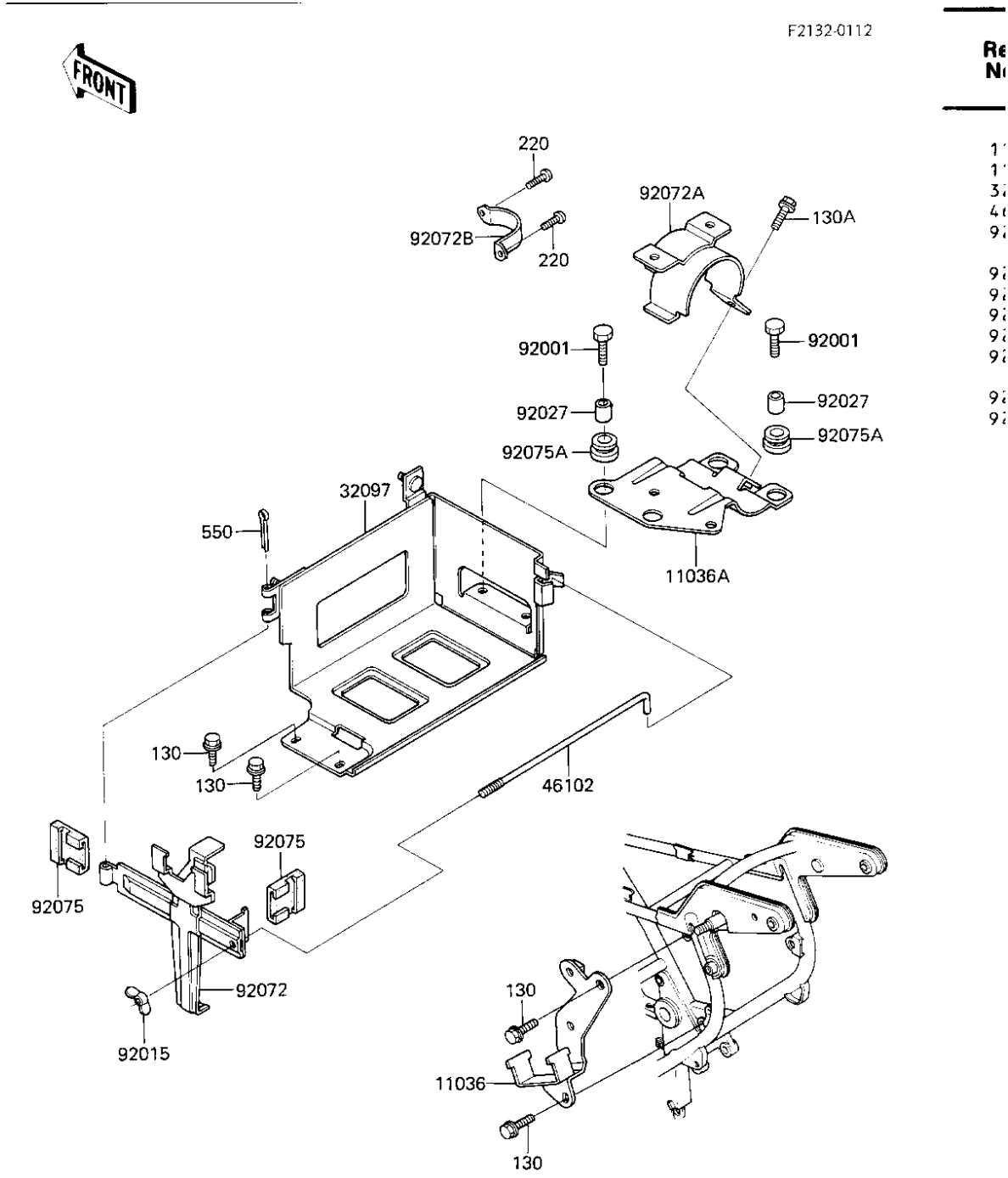


# 1984 Voyager

## PARTS DIAGRAM

### BATTERY CASE



# 1984 Voyager

## PARTS LIST BATTERY CASE

**ITEM NAME**

**PART NUMBER**

**QUANTITY**

---