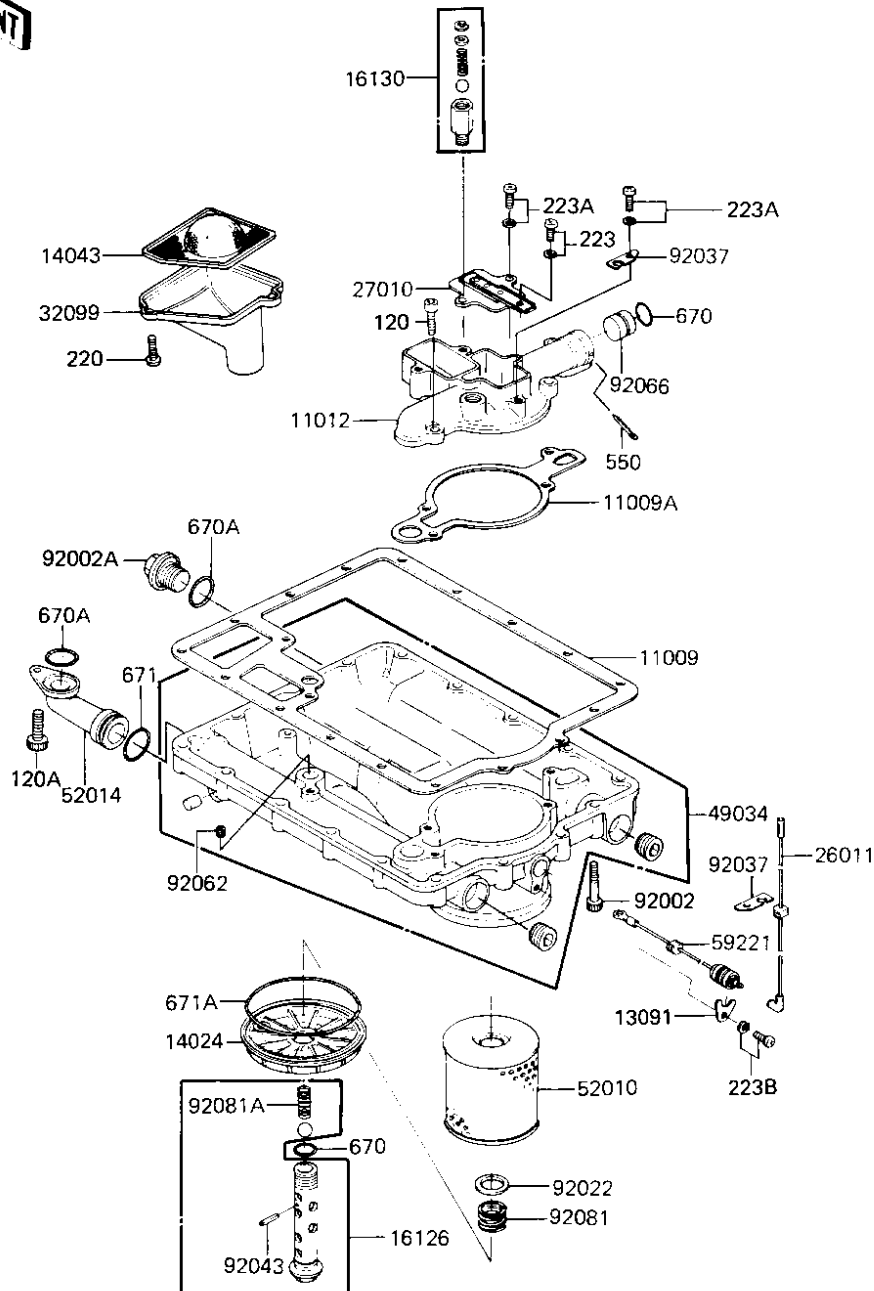


1985 Voyager

PARTS DIAGRAM

OIL PAN/OIL FILTER

E1710-0064



| Re | No |
|----|----|
| 1 | |
| 1 | |
| 1 | |
| 1 | |
| 1 | |
| 1 | |
| 1 | |
| 2 | |
| 2 | |
| 3 | |
| 4 | |
| 5 | |
| 5 | |
| 5 | |
| 9 | |
| 9 | |
| 9 | |
| 9 | |
| 9 | |
| 9 | |
| 9 | |
| 9 | |
| 9 | |

1985 Voyager

PARTS LIST

OIL PAN/OIL FILTER

Kawasaki

Let the Good Times Roll®

ITEM NAME

PART NUMBER

QUANTITY
