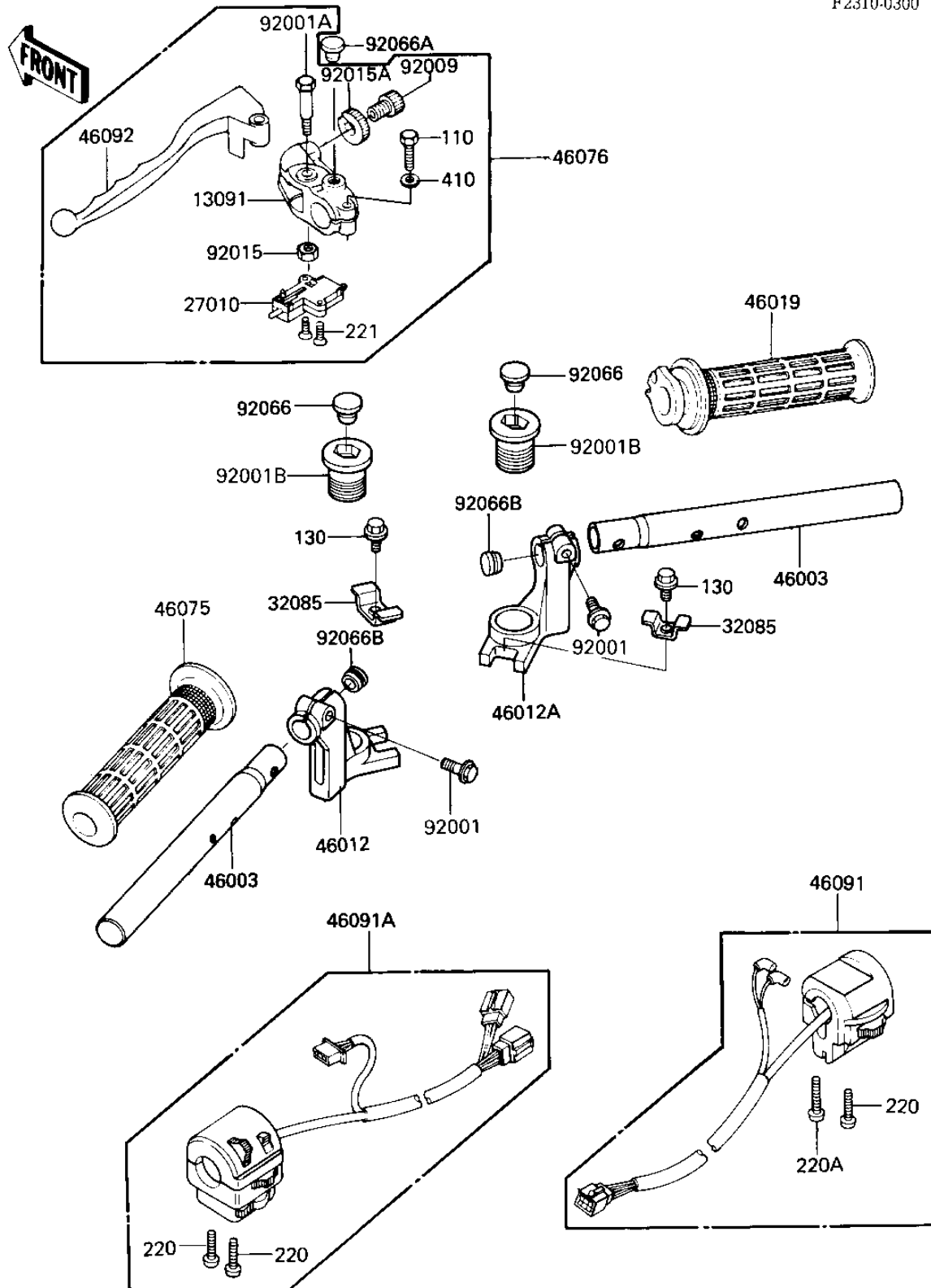


1985 GPz

PARTS DIAGRAM

HANDLEBAR

F2310-0300



1985 GPz

PARTS LIST HANDLEBAR

ITEM NAME

PART NUMBER

QUANTITY
