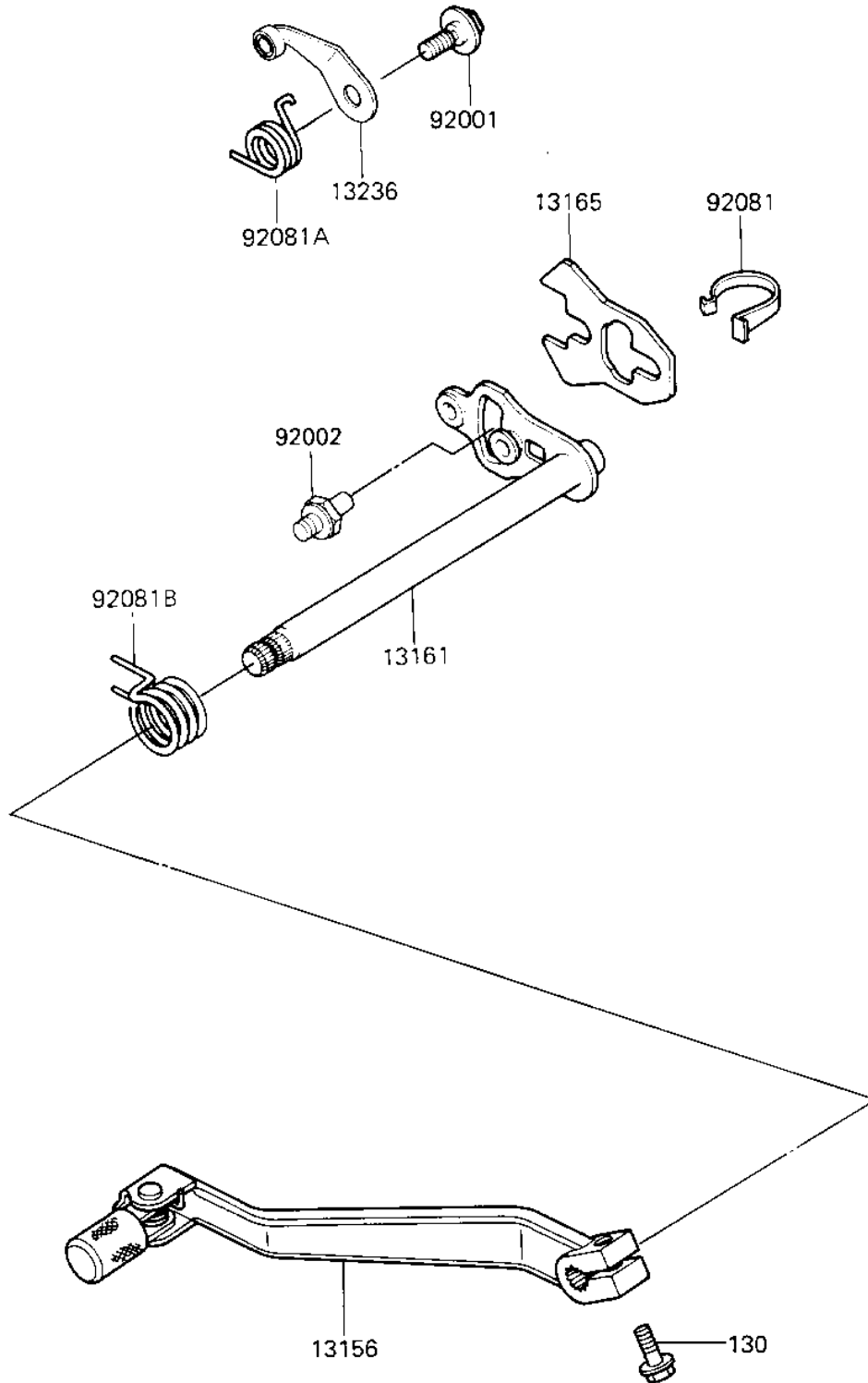


# 1986 KLR250

## PARTS DIAGRAM

### GEAR CHANGE MECHANISM

E1370-0136



# 1986 KLR250

## PARTS LIST

### GEAR CHANGE MECHANISM

**ITEM NAME**

**PART NUMBER**

**QUANTITY**

---