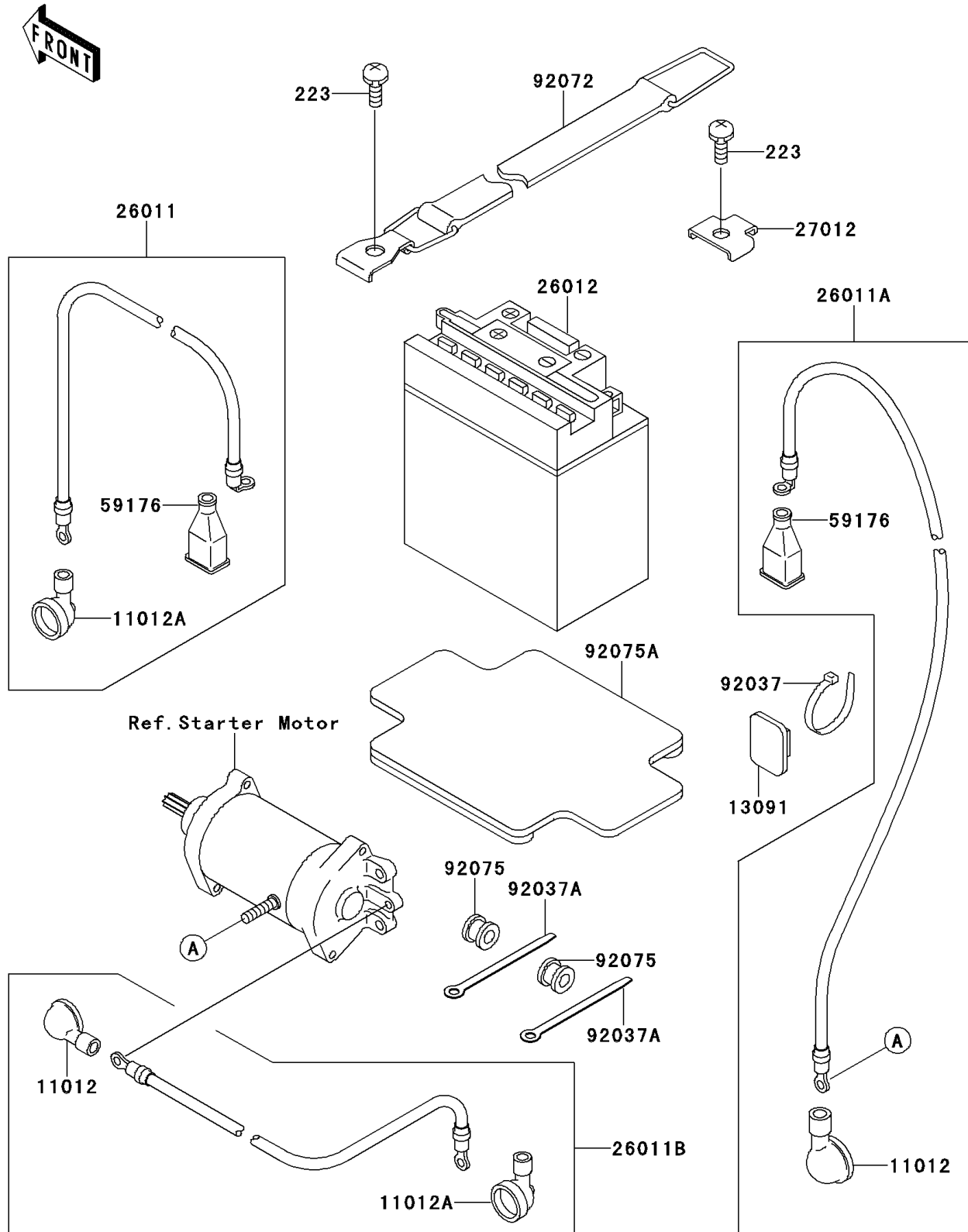


# 1997 SS

## PARTS DIAGRAM

### Electrical Equipment

F3181



# 1997 SS

## PARTS LIST

### Electrical Equipment

**ITEM NAME**

**PART NUMBER**

**QUANTITY**

---