

1985 LTD Shaft

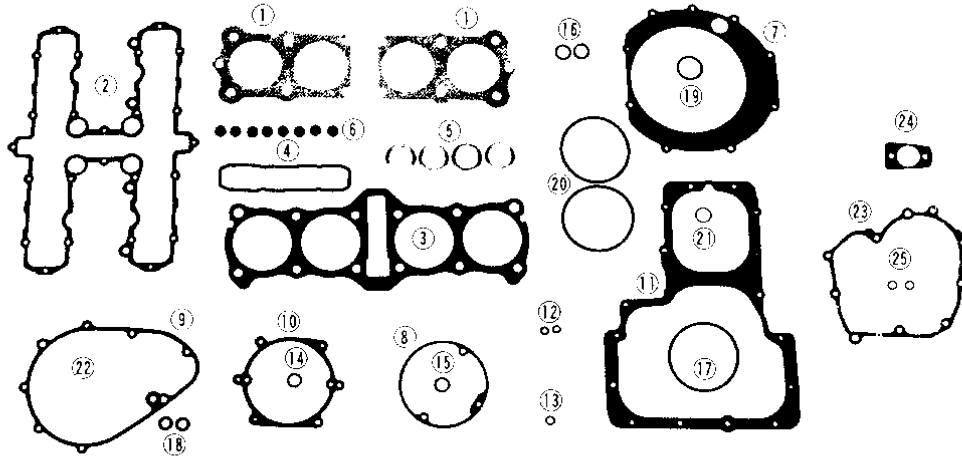
PARTS DIAGRAM

GASKET KIT

Gasket kit

ZX1100-A 1983 & UP

ZN1100-B 1984 & UP



IDENT. NO.	DESCRIPTION	PART NO.	11028-1084 Top End Kit (A) (QTY.)	11028-1088 Bottom End Kit (B) (QTY.)
1	Gasket-Head, Cylinder	11004-1119	2	
2	Gasket, Cylinder Head Cover	11009-1205	1	
3	Gasket, Cylinder Base	11009-1207	1	
4	Gasket, Cylinder	11009-1208	1	
5	Gasket, Exhaust Pipe Holder	18067-018	4	
6	Seal-Oil, RV37129.5, Valve Stem	92049-016	8	
7	Gasket, Clutch Cover	11009-1210		1
8	Gasket, Pulsing Coil Cover	11009-1220		1
9	Gasket, Generator Cover	14045-014		1
10	Gasket, RH Engine Cover	14046-023		1
11	Gasket, Oil Pan	16112-002		1
12	O Ring, 8mm, Breather Bolt/Race Bushing	670B1508		2
13	O Ring, 9mm, Oil Pressure Switch Fitting	670B1509		1
14	O Ring, 15mm, Main Gallery Plug	670B2015		1
15	O Ring, 16mm, Oil Filter Center Bolt	670B2016		1
16	O Ring, 18mm, Oil Pressure Fitting	670B2018		2
17	O Ring, 90mm, Oil Filter Cover	671B2590		1
18	Ring-O, 12x3.0, Crankcase Center/Oil Pump	92055-048		2
19	Ring-O, 31.5 x 2.6, Oil Filler Cap	92055-049		1
20	Ring-O, 91.6 x 3.4, Breather Body/Oil Pan	92055-052		2
21	Ring-O, 19.5 x 1.5, Oil Pressure Switch (ZN1100-B)	92055-055		1
22	Gasket, Drain Plug	92065-097		1
* 23	Gasket, Transmission Cover (ZX1100-A)	11009-1163		1
24	Gasket, Clutch Adjusting Cover (ZX1100-A)	11009-1211		1
25	Ring-O, 8.8mm, Change Pedal Pivot (ZX1100-A)	92055-099		2
Kit includes			6 items: 17 pcs.	19 items: 24 pcs.

*NOTE: This gasket kit does not included front bevel gear case gasket. USE 11009-1112 for shaft drive vehicles.

1985 LTD Shaft

PARTS LIST

GASKET KIT

Kawasaki

Let the Good Times Roll®

ITEM NAME

PART NUMBER

QUANTITY
