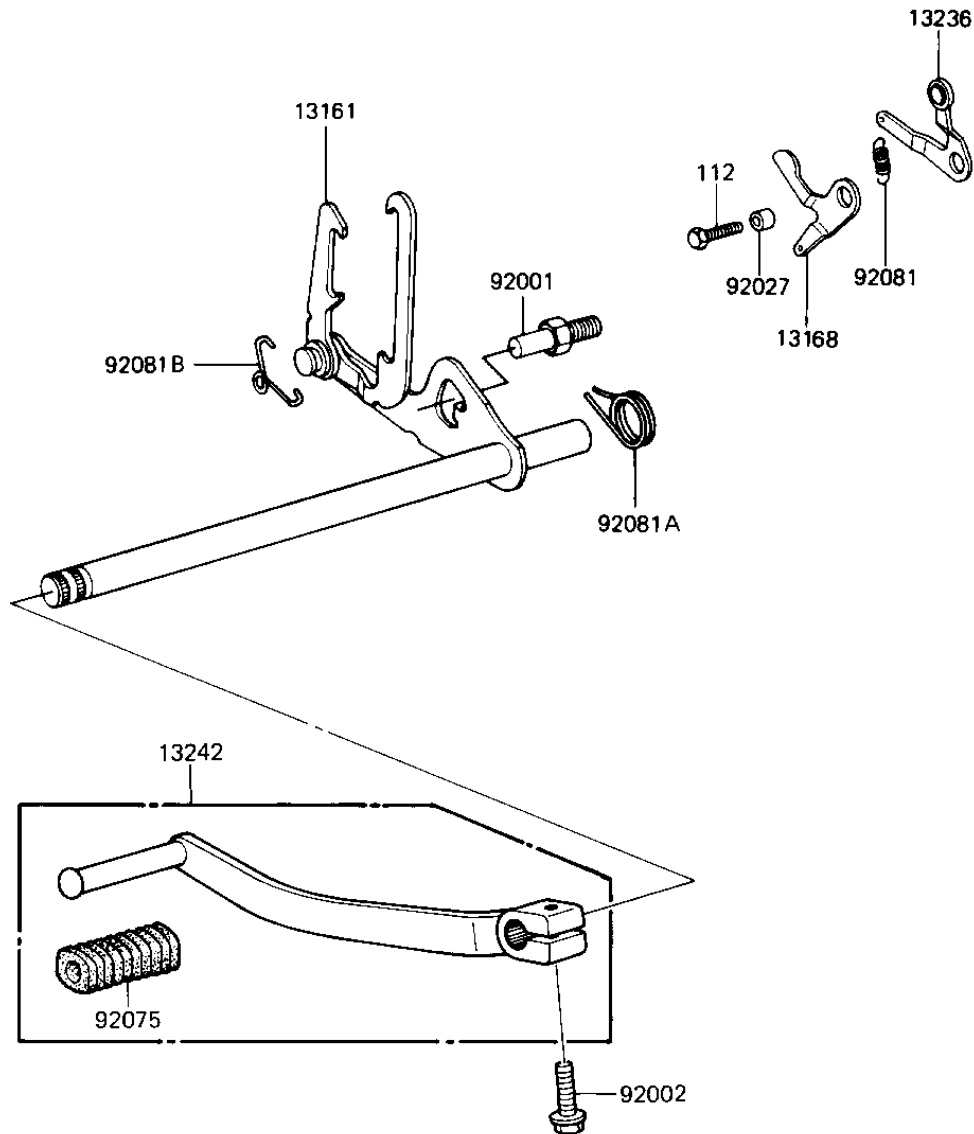


# 1985 LTD Shaft

## PARTS DIAGRAM

### GEAR CHANGE MECHANISM

E1370-0150 —



# 1985 LTD Shaft

## PARTS LIST

### GEAR CHANGE MECHANISM

**Kawasaki**

Let the Good Times Roll®

**ITEM NAME**

**PART NUMBER**

**QUANTITY**

---