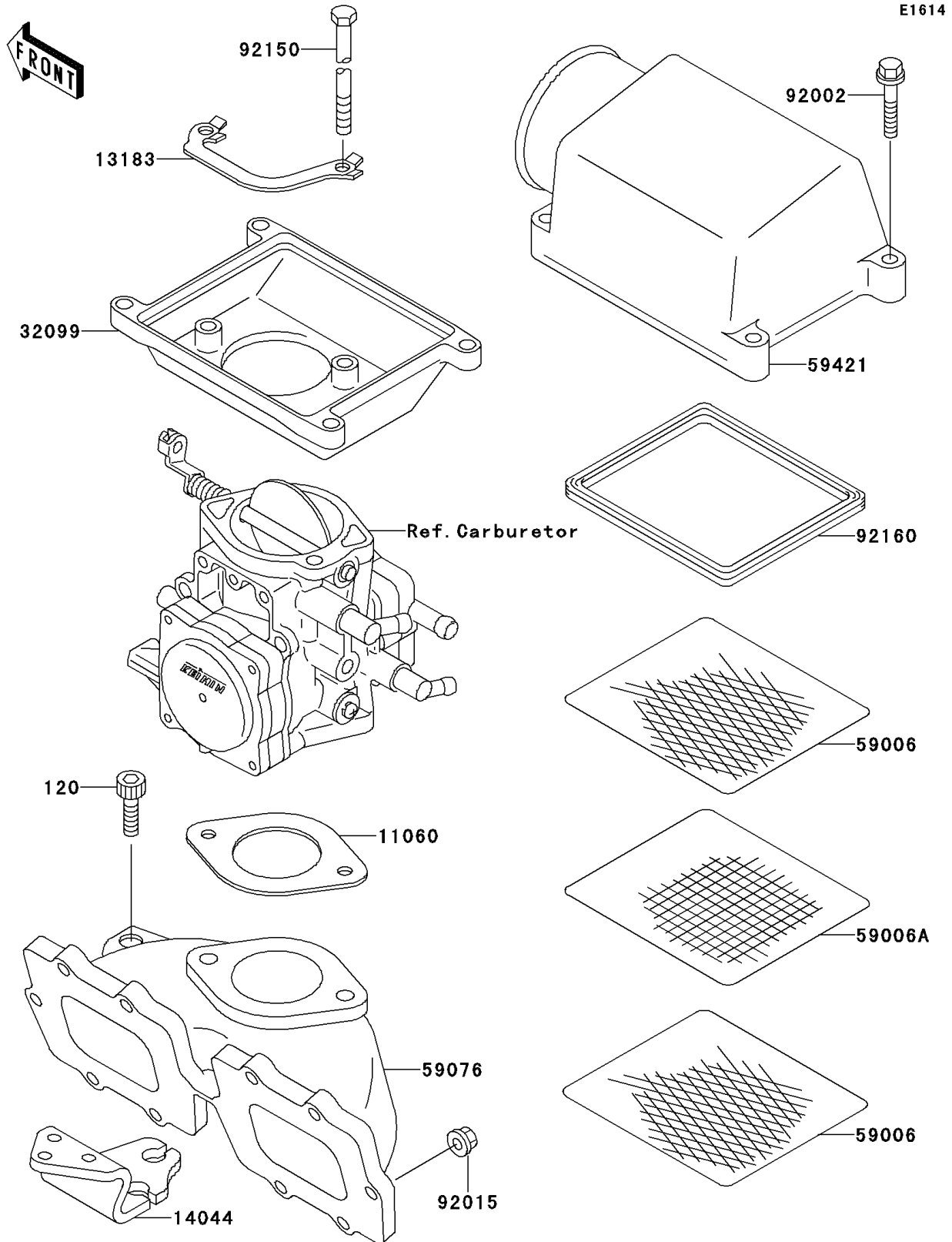


# 1997 SS

## PARTS DIAGRAM

### Flame Arrester



# 1997 SS

## PARTS LIST

### Flame Arrester

ITEM NAME	PART NUMBER	QUANTITY
-----------	-------------	----------

---