

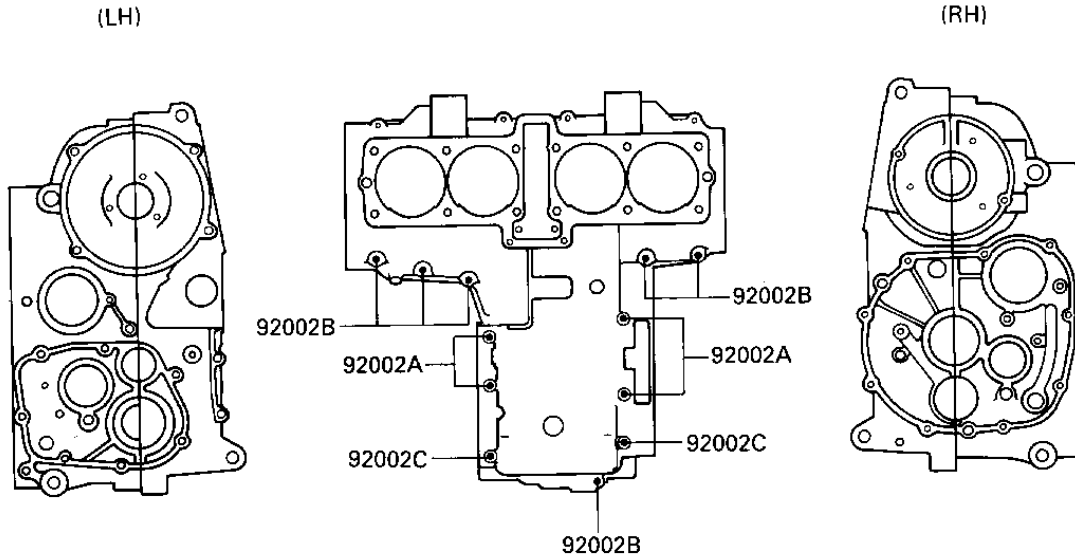
# 1985 Ninja® 600

## PARTS DIAGRAM

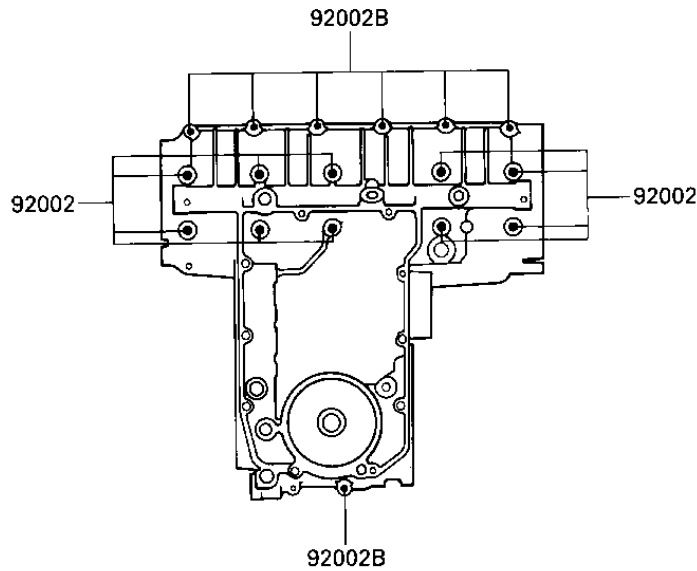
### CRANKCASE BOLT PATTERN

E1412-0029

#### Upper Case (Outside)



#### Lower Case (Outside)



R  
N

# 1985 Ninja® 600

## PARTS LIST

### CRANKCASE BOLT PATTERN

**ITEM NAME**

**PART NUMBER**

**QUANTITY**

---