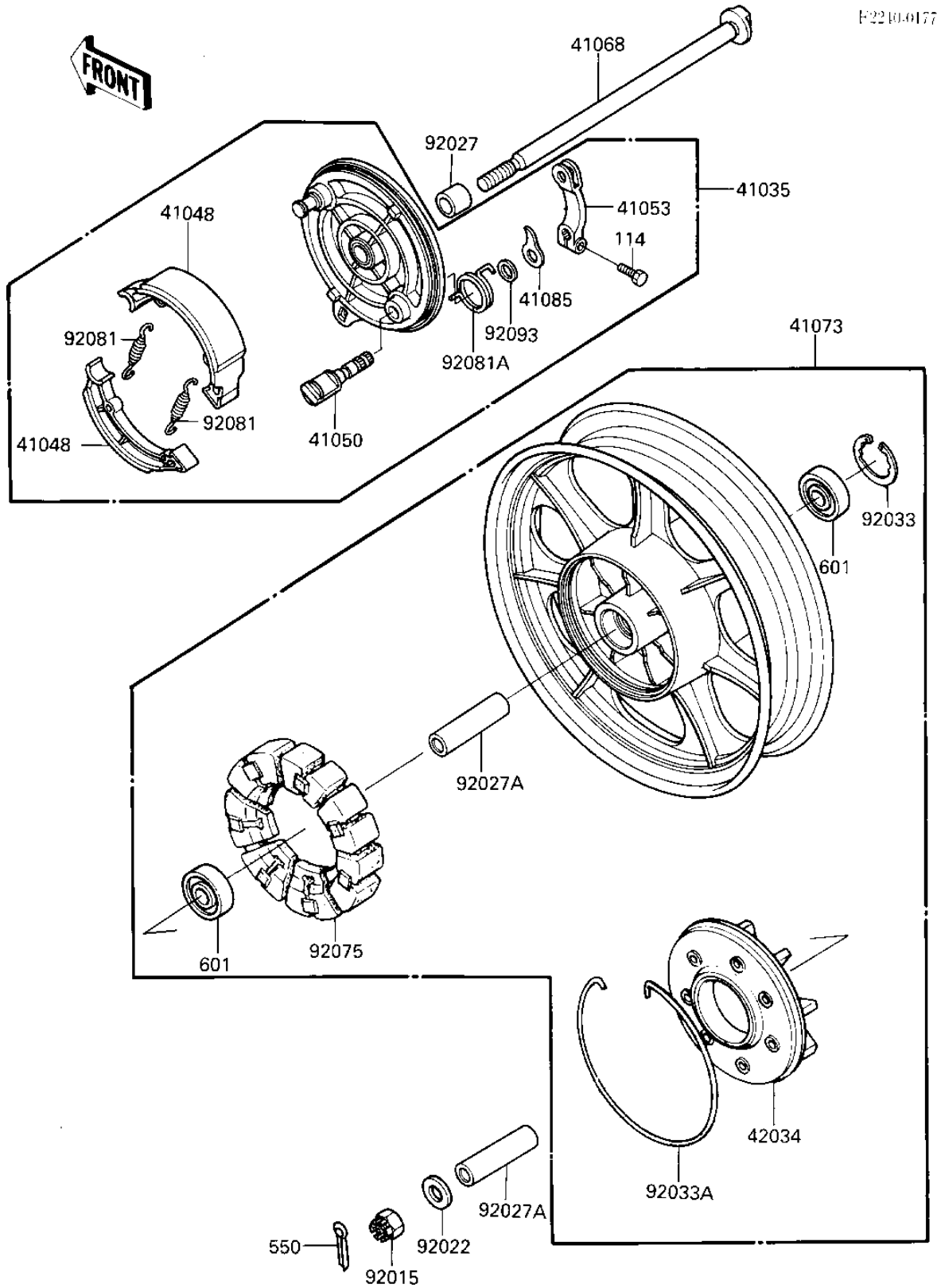


# 1985 LTD

## PARTS DIAGRAM

### REAR WHEEL/HUB/BRAKE



# 1985 LTD

## PARTS LIST

### REAR WHEEL/HUB/BRAKE

**ITEM NAME**

**PART NUMBER**

**QUANTITY**

---