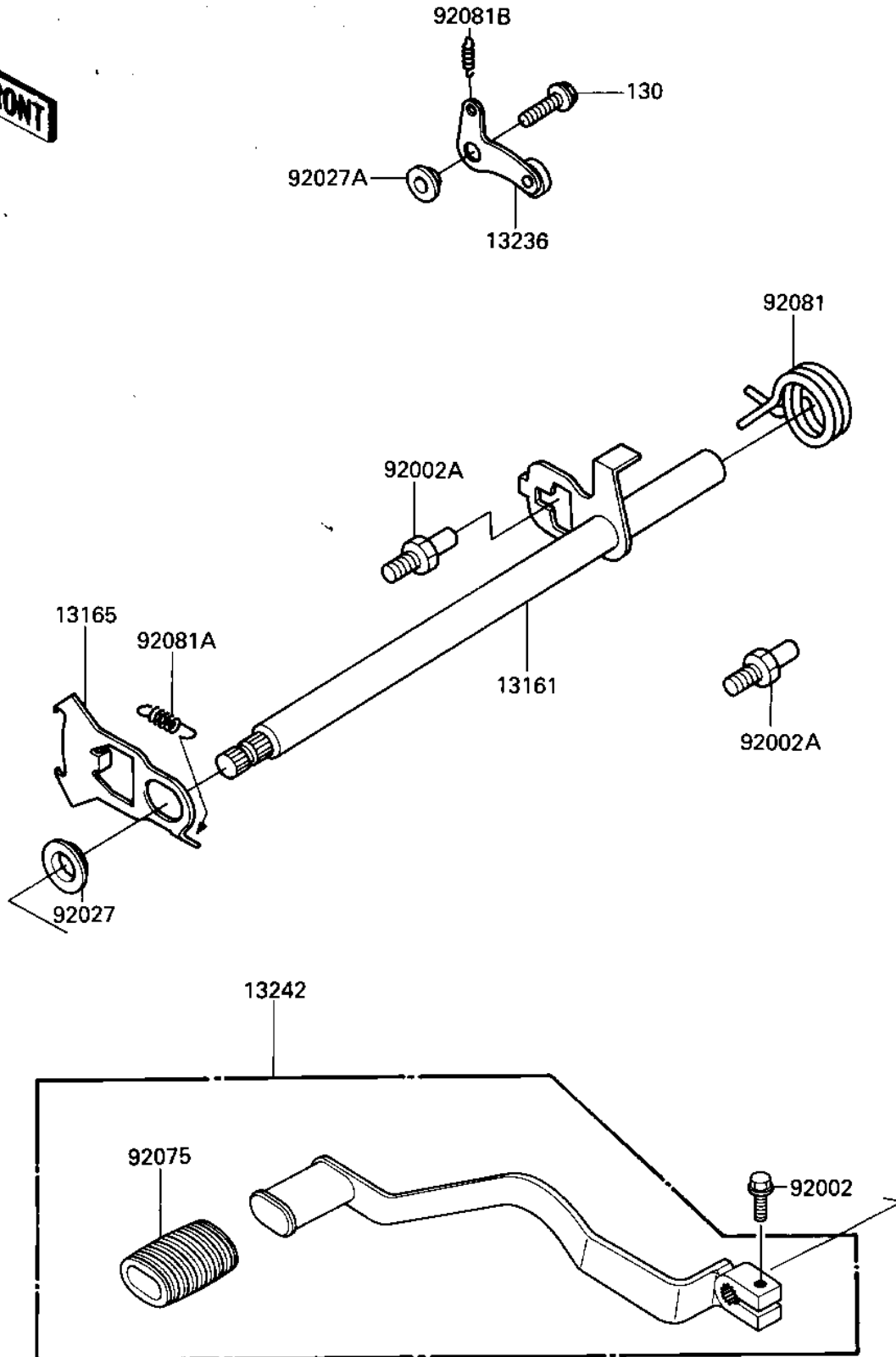


1985 Bayou 185

PARTS DIAGRAM

GEAR CHANGE MECHANISM

E1370-0149



1985 Bayou 185

PARTS LIST

GEAR CHANGE MECHANISM

Kawasaki

Let the Good Times Roll®

| ITEM NAME | PART NUMBER | QUANTITY |
|-------------------------------------|-------------|----------|
| LEVER-COMP-CHANGE SHA (Ref # 13161) | 13161-1110 | 1 |
| PAWL,CHANGE LEVER (Ref # 13165) | 13165-1112 | 1 |
| LEVER-COMP,CHANGE DRU (Ref # 13236) | 13236-1104 | 1 |
| LEVER-ASSY-CHANGE,PED (Ref # 13242) | 13242-1199 | 1 |
| BOLT,6X20 (Ref # 92002) | 92002-1237 | 1 |
| BOLT,RETURN SPRING (Ref # 92002A) | 92002-1408 | 2 |
| COLLAR,CHANGE SHAFT,L (Ref # 92027) | 92027-1512 | 1 |
| COLLAR,L=5.2 (Ref # 92027A) | 92027-1716 | 1 |
| DAMPER,CHANGE PEDAL (Ref # 92075) | 92075-1585 | 1 |
| SPRING,CHANGE SHAFT R (Ref # 92081) | 92081-1684 | 1 |
| SPRING,CHANGE LEVER (Ref # 92081A) | 92081-1753 | 1 |
| SPRING,CHNG DRUM LEV (Ref # 92081B) | 92083-012 | 1 |
| BOLT-FLANGED,6X20,BLA (Ref # 130) | 130S0620 | 1 |