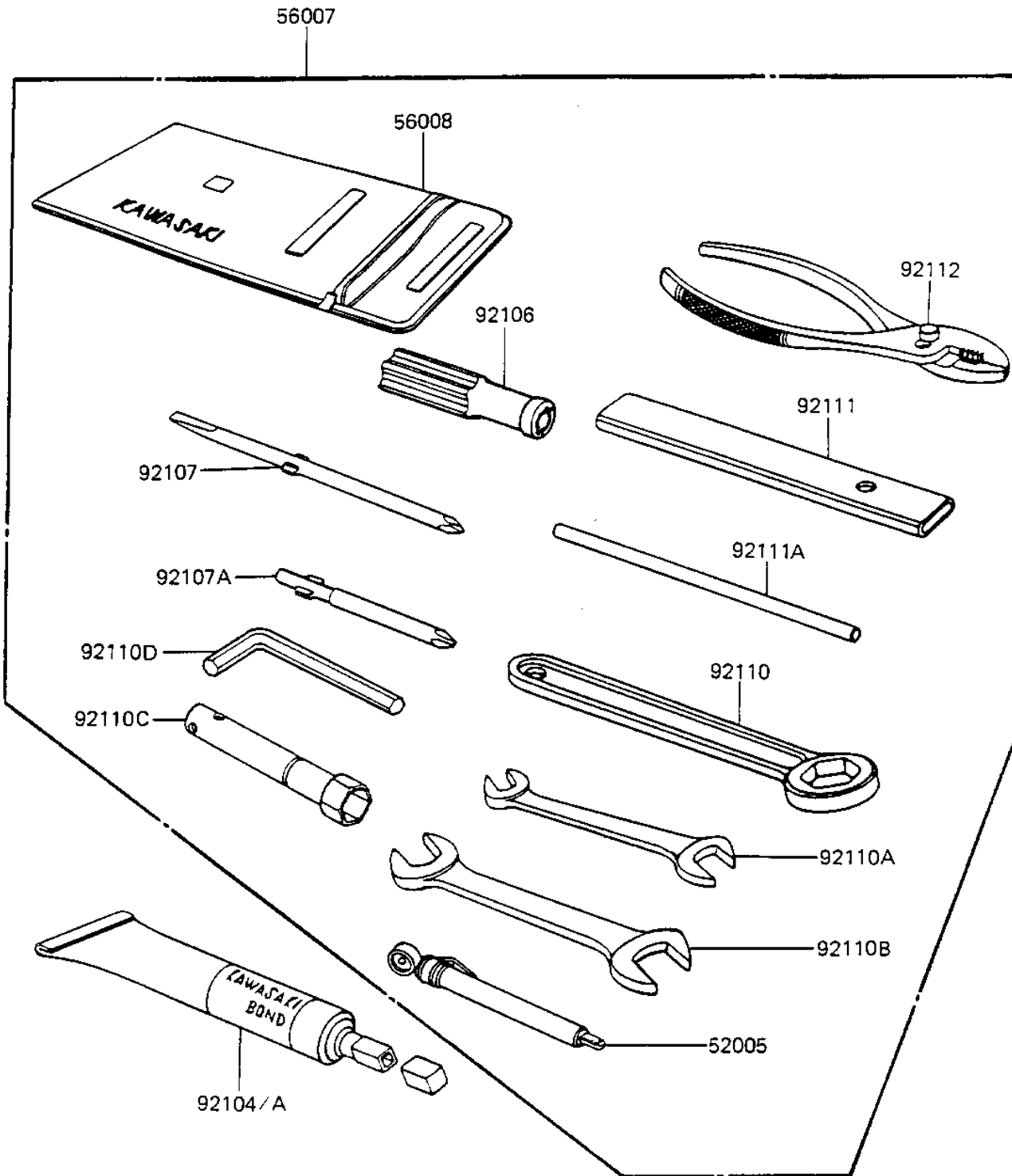


# 1983 GPz

## PARTS DIAGRAM

### OWNER TOOLS

F2810-0145



# 1983 GPz

## PARTS LIST OWNER TOOLS

**ITEM NAME**

**PART NUMBER**

**QUANTITY**

---