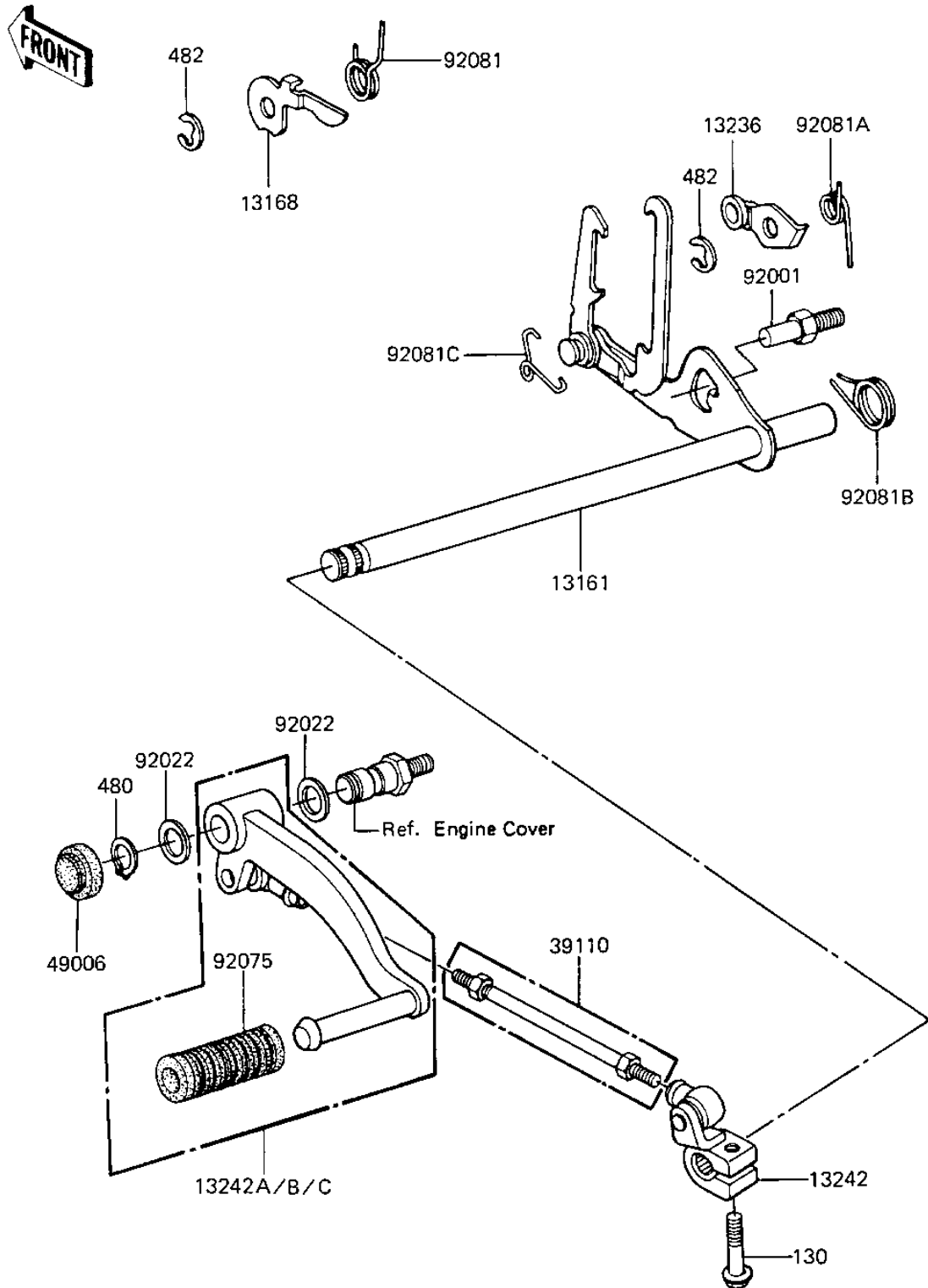


1983 GPz

PARTS DIAGRAM

GEAR CHANGE MECHANISM

E1370-0083



1983 GPz

PARTS LIST

GEAR CHANGE MECHANISM

Kawasaki

Let the Good Times Roll®

ITEM NAME

PART NUMBER

QUANTITY
