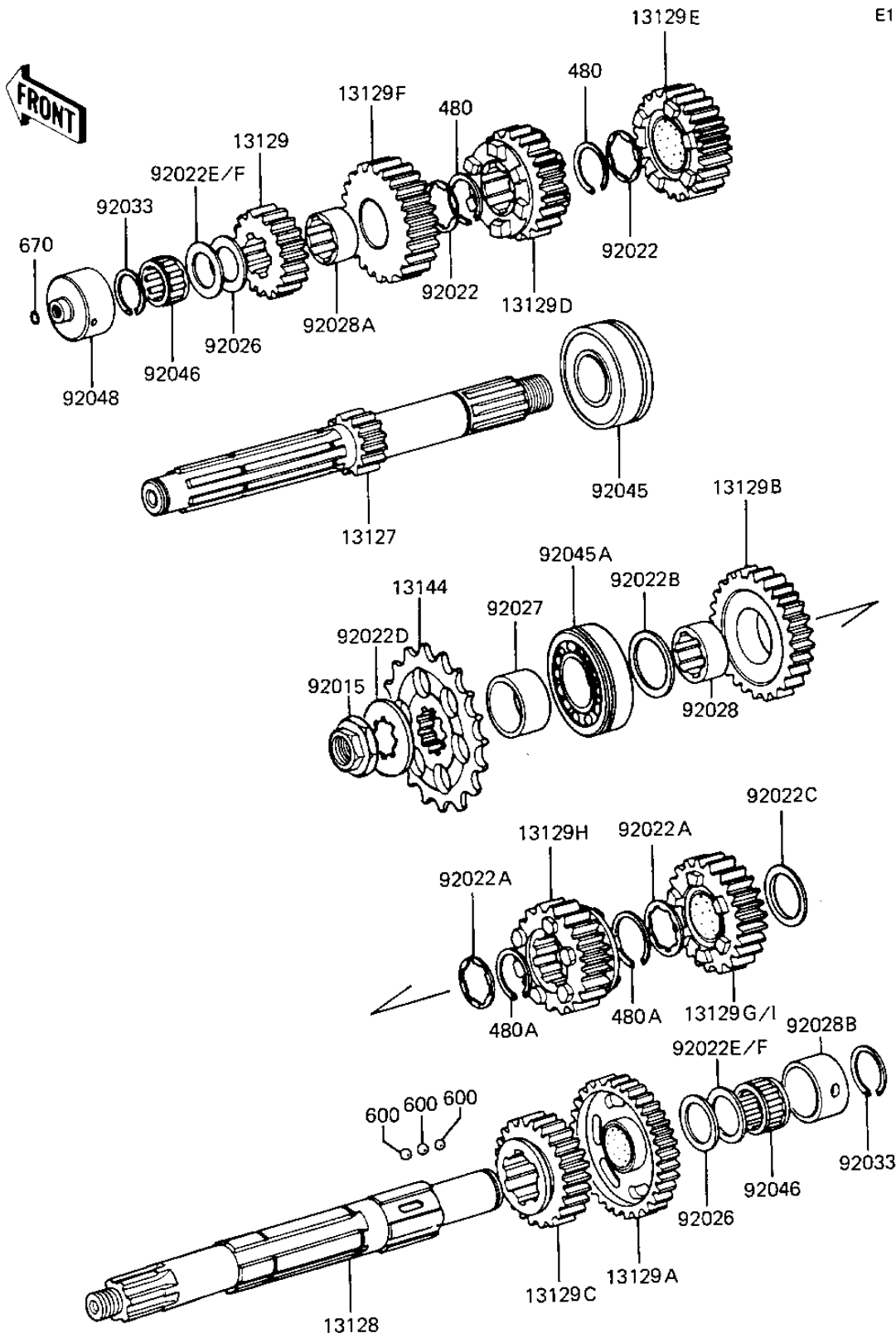


# 1983 GPz

## PARTS DIAGRAM

### TRANSMISSION



# 1983 GPz

## PARTS LIST TRANSMISSION

**ITEM NAME**

**PART NUMBER**

**QUANTITY**

---