

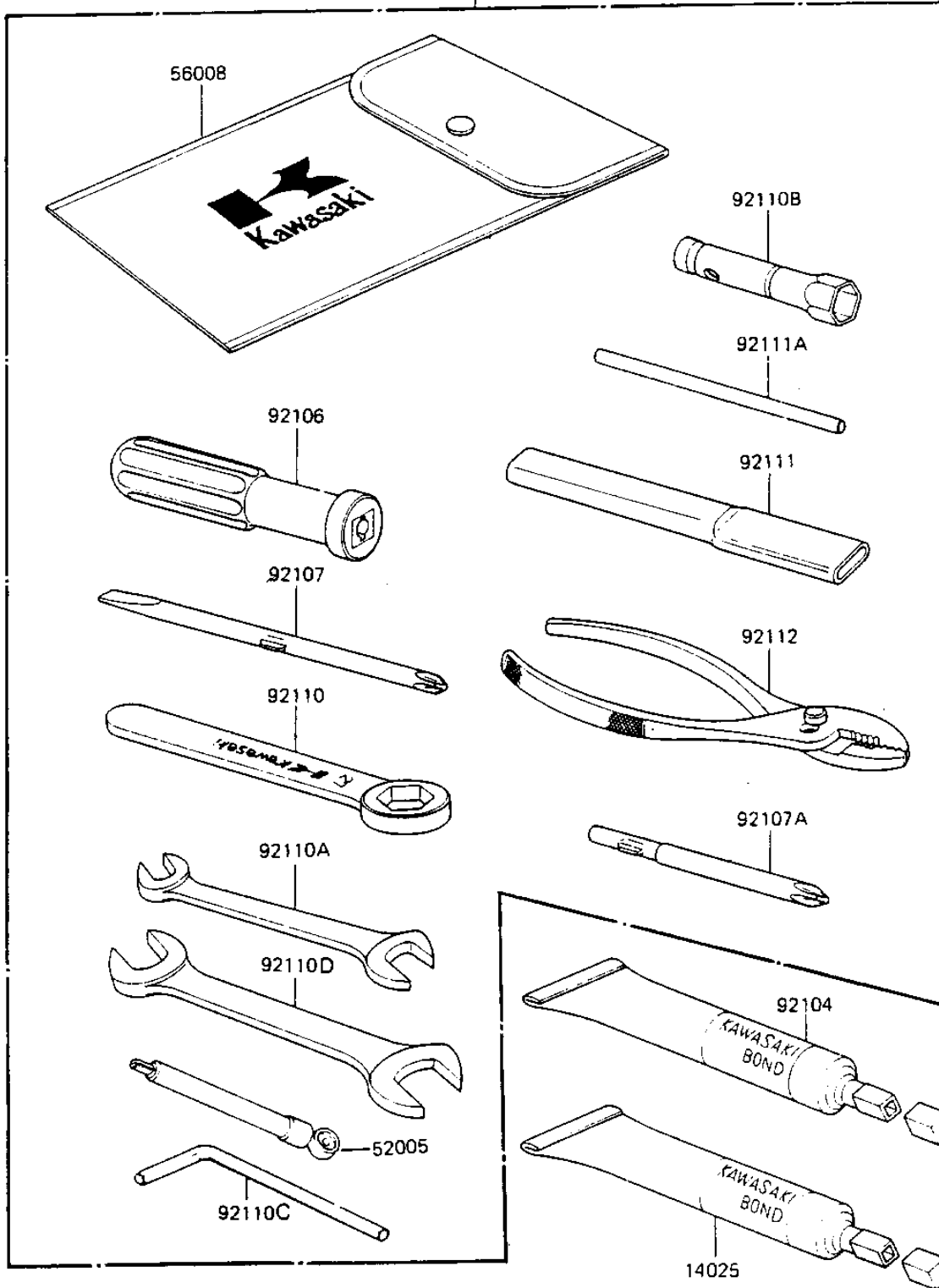
1984 GPz 750

PARTS DIAGRAM

OWNER TOOLS

56007

F2810-0147



1984 GPz 750

PARTS LIST

OWNER TOOLS

ITEM NAME	PART NUMBER	QUANTITY
BOND,#10 (Ref # 14025)	56019-120	1
GAUGE,AIR,3.5KG/CM2 (Ref # 52005)	52005-1031	1
56007-1287 (Canada) (Ref # 56007)	56007-1192	1
BAG,TOOLKIT (Ref # 56008)	56008-1019	1
GASKET-LIQUID,BLACK (Ref # 92104)	92104-1003	1
GRIP,SCREW DRIVER (Ref # 92106)	92106-1001	1
TOOL-DRIVER (Ref # 92107)	92107-1052	1
SCREW DRIVER #3 PHLIP (Ref # 92107A)	92107-005	1
TOOL-WRENCH,BOX END,2 (Ref # 92110)	92110-1147	1
TOOL-WRENCH,OPEN END (Ref # 92110A)	92110-1038	1
WRENCH,SPARK PLUG (Ref # 92110B)	92108-008	1
TOOL-WRENCH,ALLEN,8MM (Ref # 92110C)	92110-1108	1
TOOL-WRENCH,OPEN END, (Ref # 92110D)	92110-1153	1
TOOL-WRENCH,OPEN END, (Ref # 92111)	92111-004	1
BAR,SPARK PLUG WRENCH (Ref # 92111A)	92111-005	1
PLIERS,160MM (Ref # 92112)	92112-003	1