

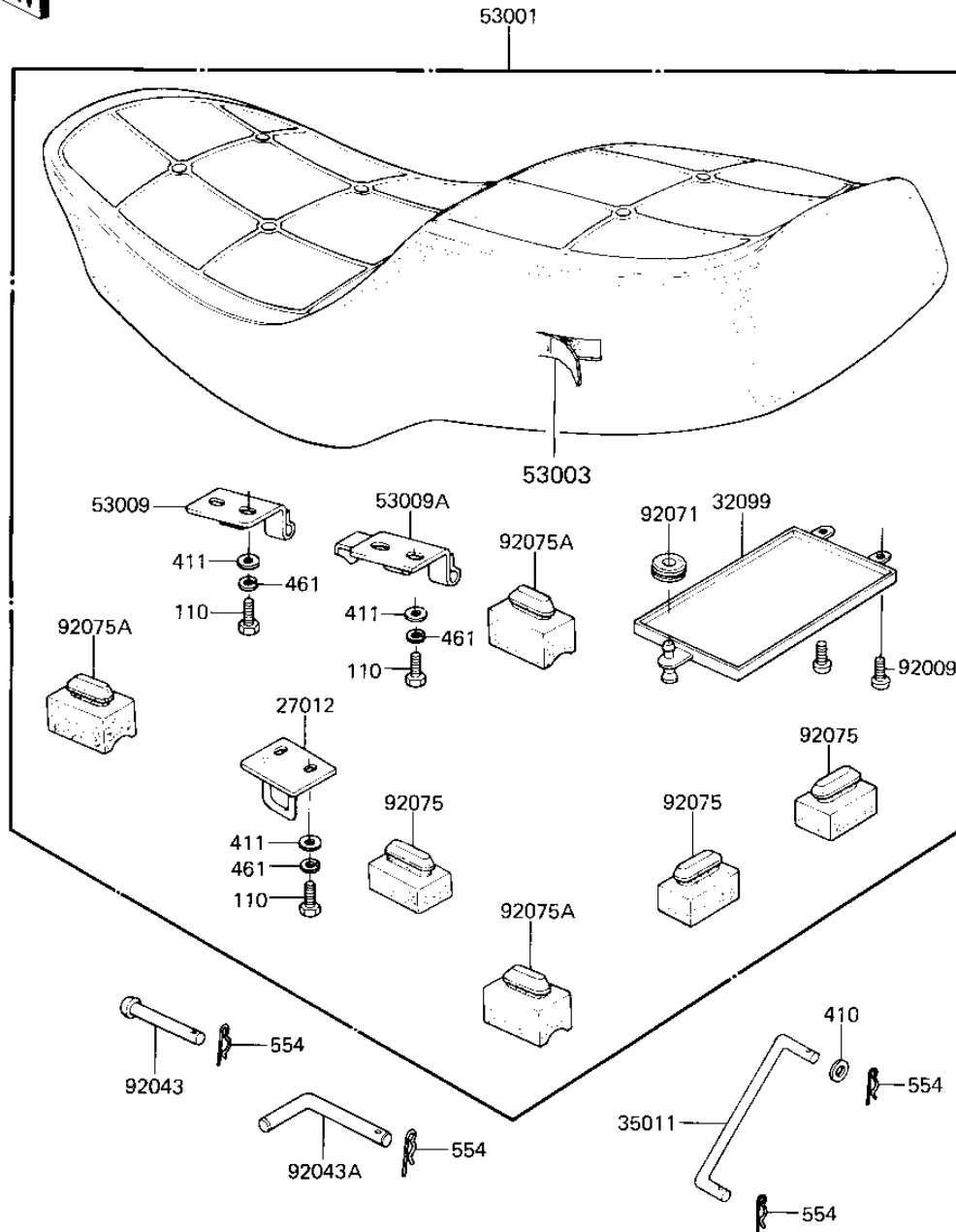
1983 LTD Shaft

PARTS DIAGRAM

SEAT



F2510-0132



1983 LTD Shaft

PARTS LIST

SEAT

Kawasaki

Let the Good Times Roll®

ITEM NAME

PART NUMBER

QUANTITY
