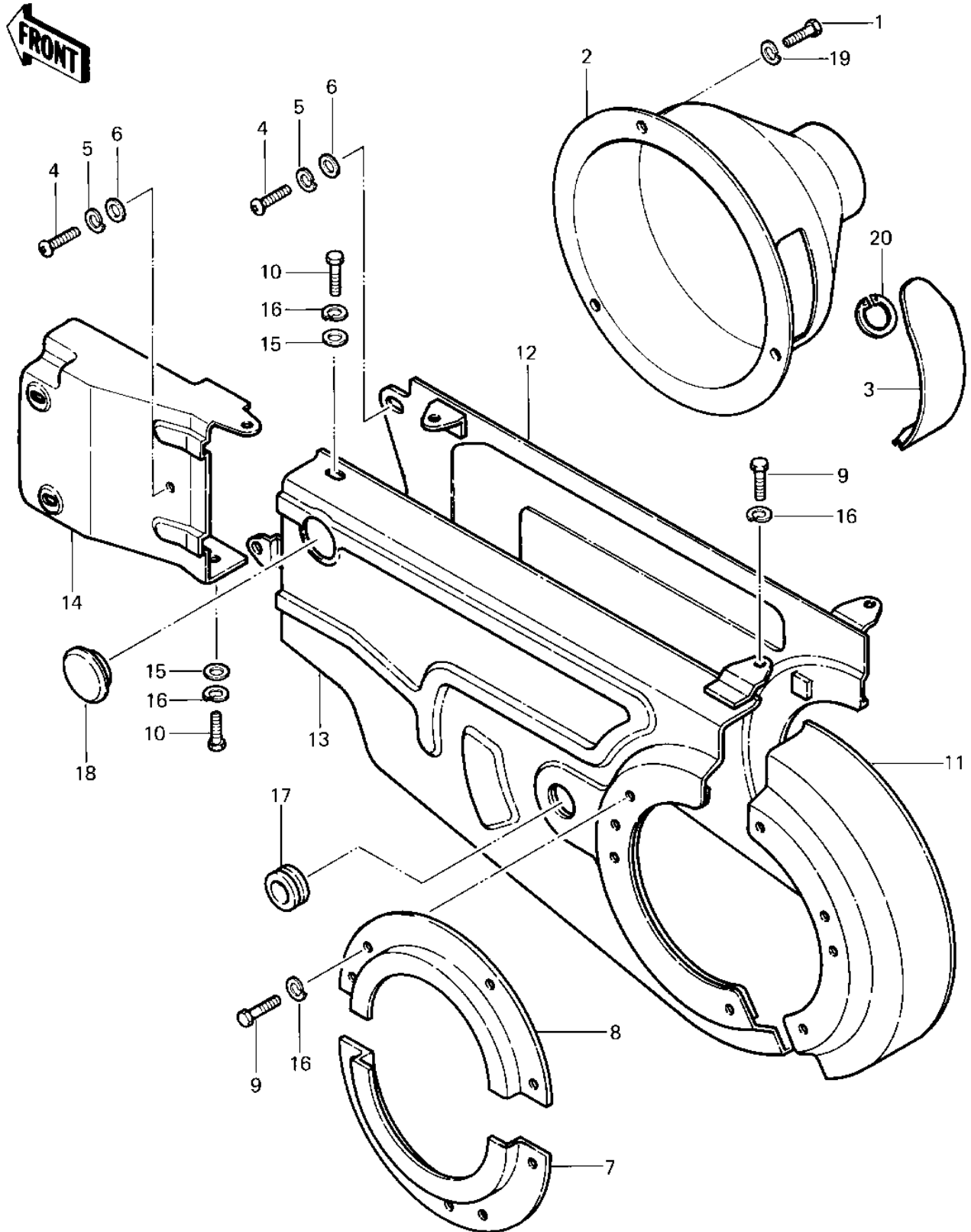


# 1983 KLT200

## PARTS DIAGRAM

### CHAIN CASE ('83 KLT200-C1)



# 1983 KLT200

## PARTS LIST

### CHAIN CASE ('83 KLT200-C1)

**ITEM NAME**

**PART NUMBER**

**QUANTITY**

---