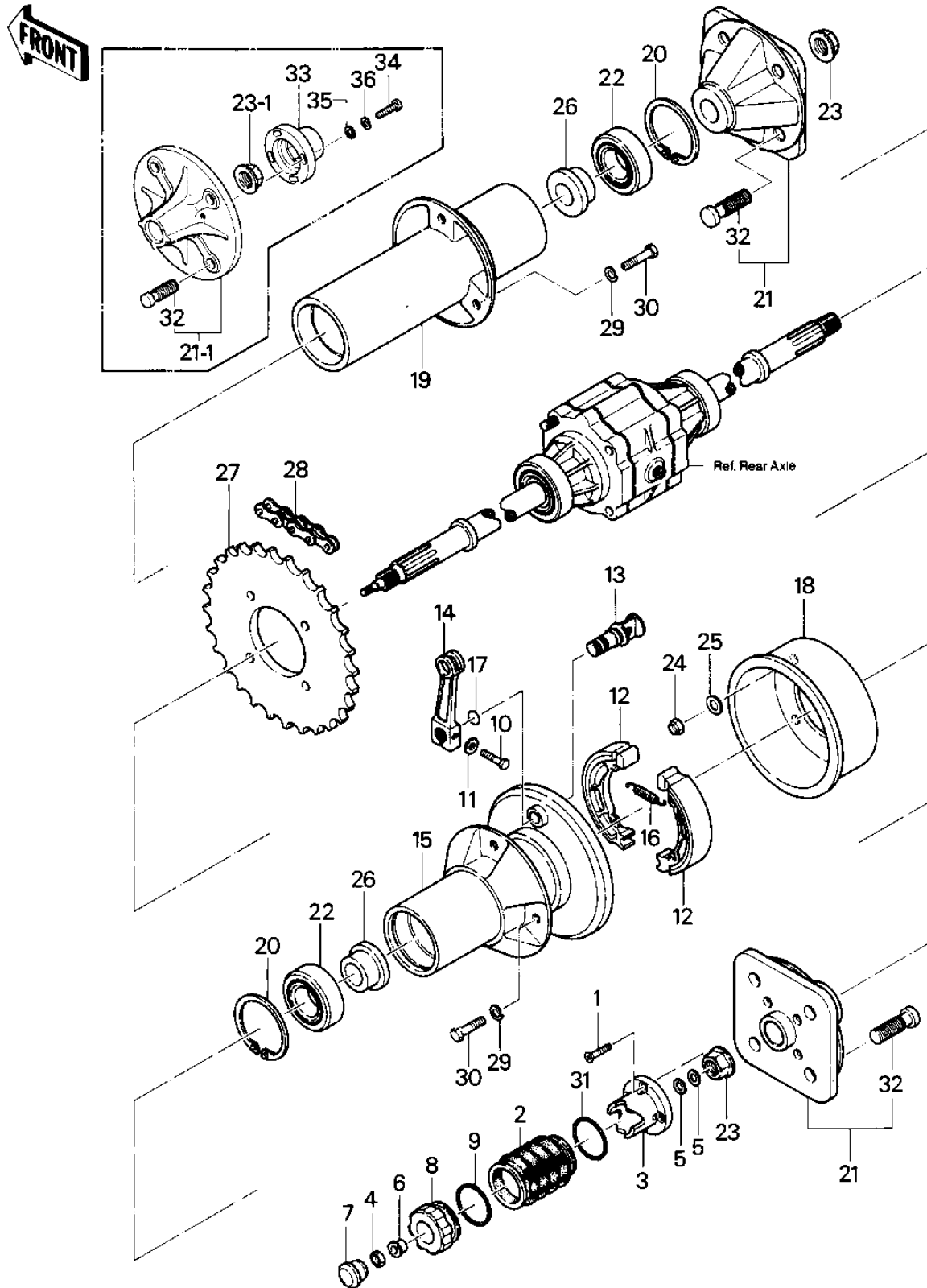


# 1983 KLT200

## PARTS DIAGRAM

### REAR HUB/BRAKE/CHAIN ('83 KLT200-C1)



# 1983 KLT200

## PARTS LIST

### REAR HUB/BRAKE/CHAIN ('83 KLT200-C1)

**ITEM NAME**

**PART NUMBER**

**QUANTITY**

---