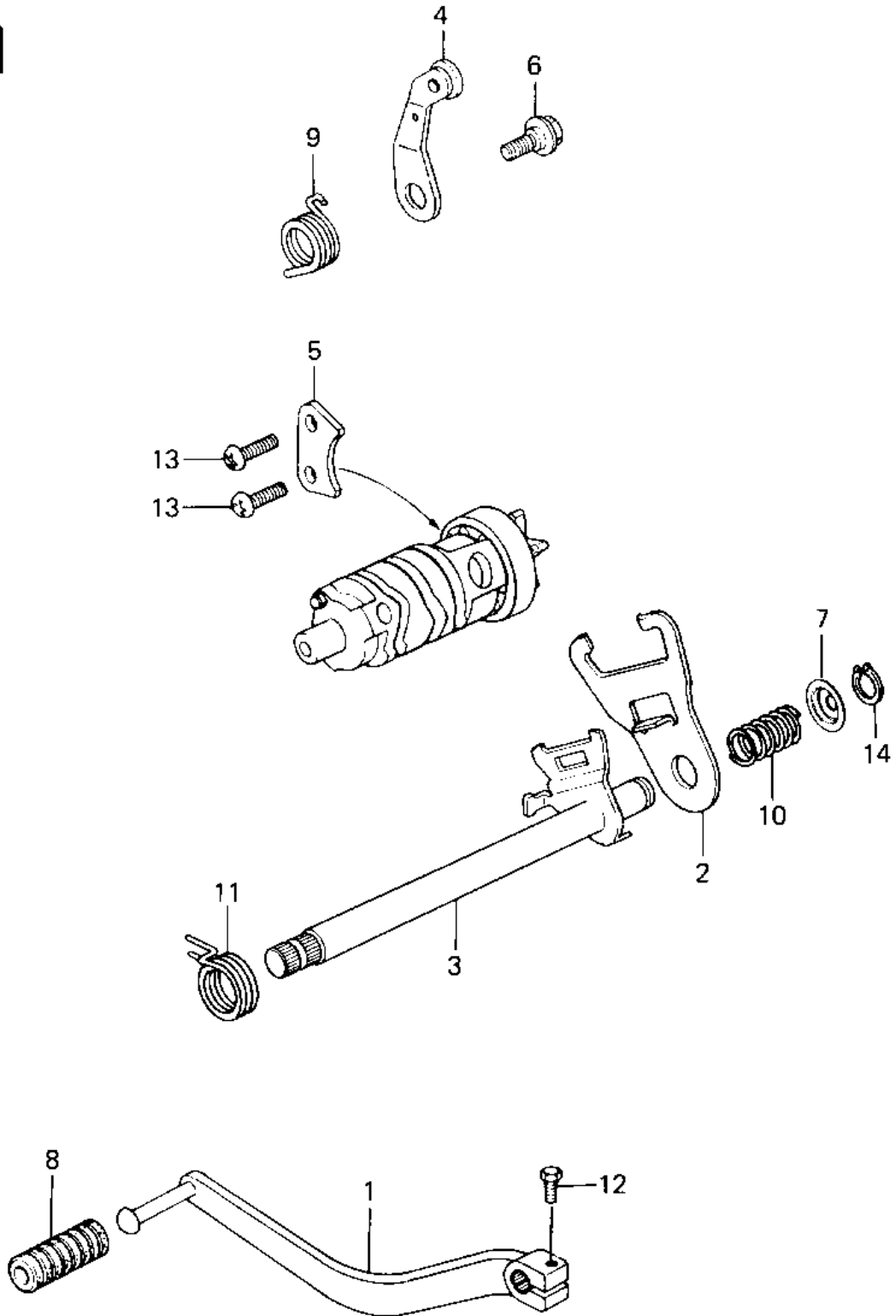


1983 KLT200

PARTS DIAGRAM

GEAR CHANGE MECHANISM ('83 KLT200-C1)

E1370-0093



1983 KLT200

PARTS LIST

GEAR CHANGE MECHANISM ('83 KLT200-C1)

ITEM NAME

PART NUMBER

QUANTITY
