

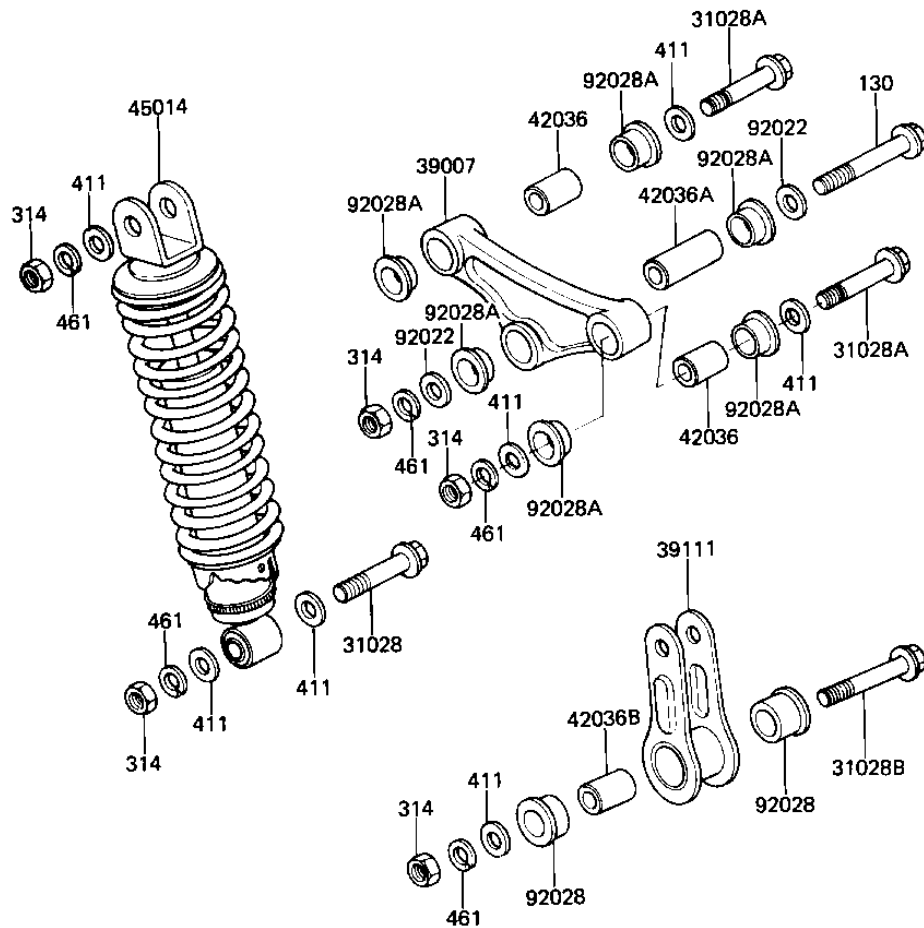
1982 AR50-A1

PARTS DIAGRAM

REAR SUSPENSION/SHOCK ABSORBER



F2150-0003



1982 AR50-A1

PARTS LIST

REAR SUSPENSION/SHOCK ABSORBER

ITEM NAME

PART NUMBER

QUANTITY
