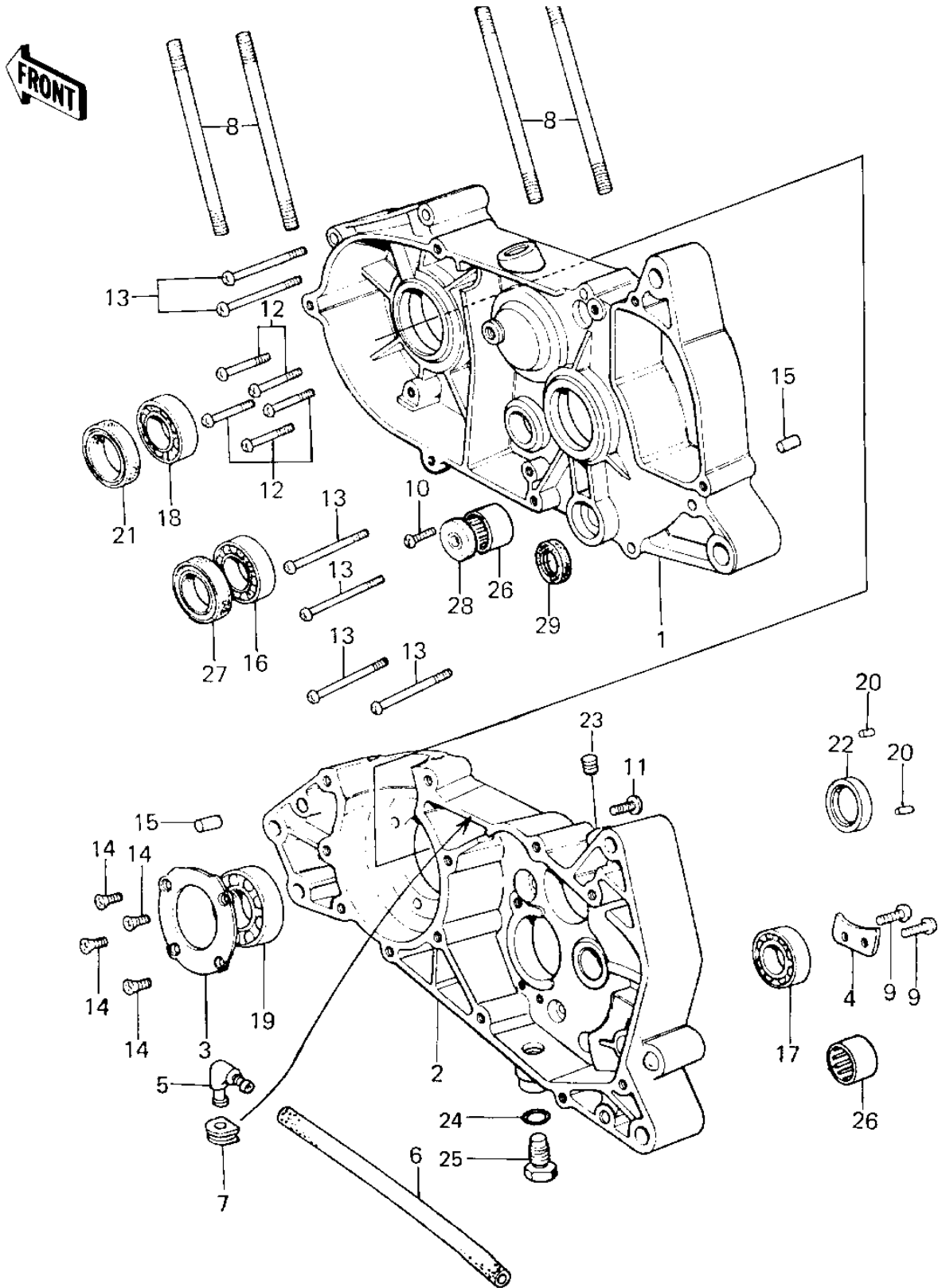


1980 KE125

PARTS DIAGRAM

CRANKCASE ('80-'81 A7/A8)



1980 KE125

PARTS LIST

CRANKCASE ('80-'81 A7/A8)

ITEM NAME	PART NUMBER	QUANTITY
SET-CRANKCASE,F.BLACK (Ref # 1)	14001-5138	1
SET-CRANKCASE,F.BLACK (Ref # 2)	14001-5138	1
PLATE,CRANK BEARING (Ref # 3)	14014-028	1
PLATE,MISSION BERNG (Ref # 4)	14014-029	1
BREATHER ASSY (Ref # 5)	14069-1001	1
BREATHER ASSY (Ref # 6)	14069-1001	1
GROMMET (Ref # 7)	92071-042	1
STUD,8X70 (Ref # 8)	172G0870	4
SCREW PAN HEAD 6X12 (Ref # 9)	220B0612	2
SCREW PAN HEAD 6X20 (Ref # 10)	220B0620	1
SCREW PAN HEAD 6X25 (Ref # 11)	220B0625	1
SCREW PAN HEAD 6X40 (Ref # 12)	220B0640	5
SCREW PAN HEAD 6X60 (Ref # 13)	220B0660	6
SCREW CNTSNK HD 6X16 (Ref # 14)	221B0616	4
PIN,DOWEL,10X8.2X14 (Ref # 15)	92043-1037	4
BEARING BALL #6004 (Ref # 16)	601B6004	1
BEARING BALL #6203 (Ref # 17)	601B6203	1
BEARING BALL #6204 (Ref # 18)	601B6204	1
BEARING BALL #6304 (Ref # 19)	601B6304	1
PIN DOWEL 5X12 (Ref # 20)	610A0512	2
SEAL-OIL (Ref # 21)	92049-1240	1
SEAL-OIL (Ref # 22)	92049-1250	1
RUBBER PLUG (Ref # 23)	92074-035	1
GASKET-DRAIN PLUG (Ref # 24)	92065-073	1
PLUG (Ref # 25)	92066-1240	1
BEARING,BALL,#6306 (Ref # 26)	92045-037	2
OIL SEAL SC25376 (Ref # 27)	92050-013	1
OIL SEAL,PUSH ROD (Ref # 28)	92050-058	1
SEAL-OIL (Ref # 29)	92049-1271	1