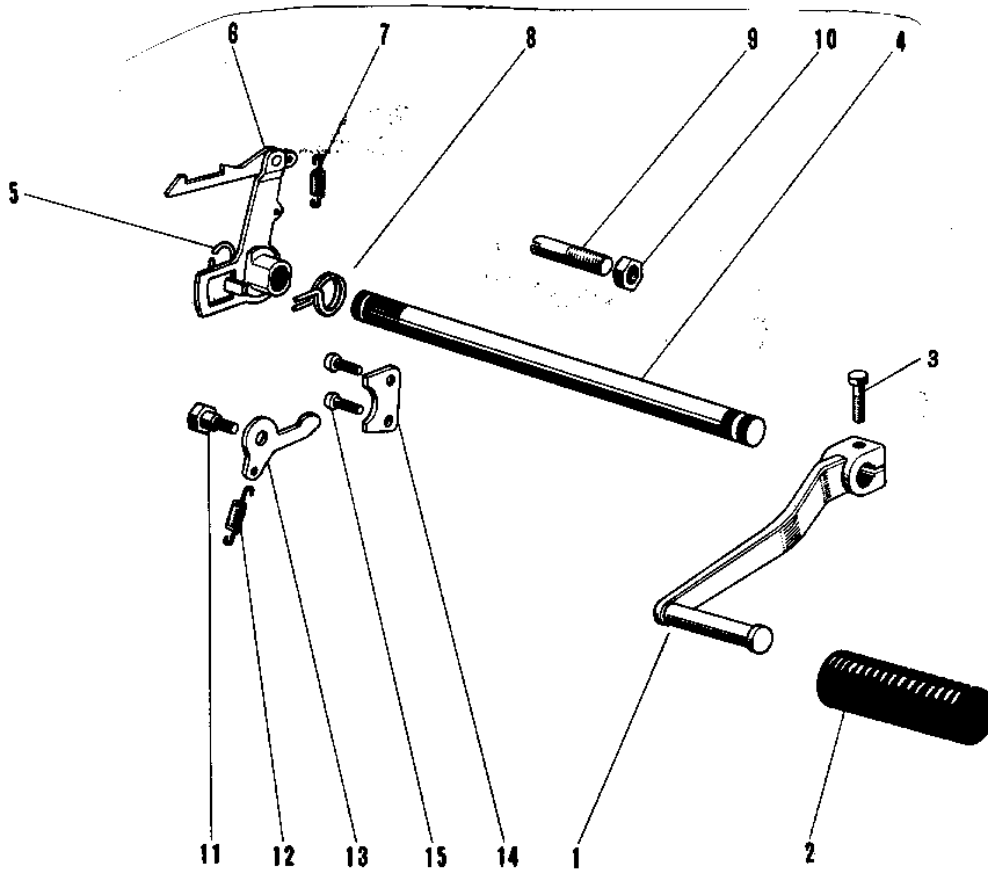


1971 Centurion

PARTS DIAGRAM

GEAR CHANGE MECHANISM

KE



1
1
1
1
1
1
1
1
1
16



1971 Centurion

PARTS LIST

GEAR CHANGE MECHANISM

Kawasaki

Let the Good Times Roll®

ITEM NAME

PART NUMBER

QUANTITY
