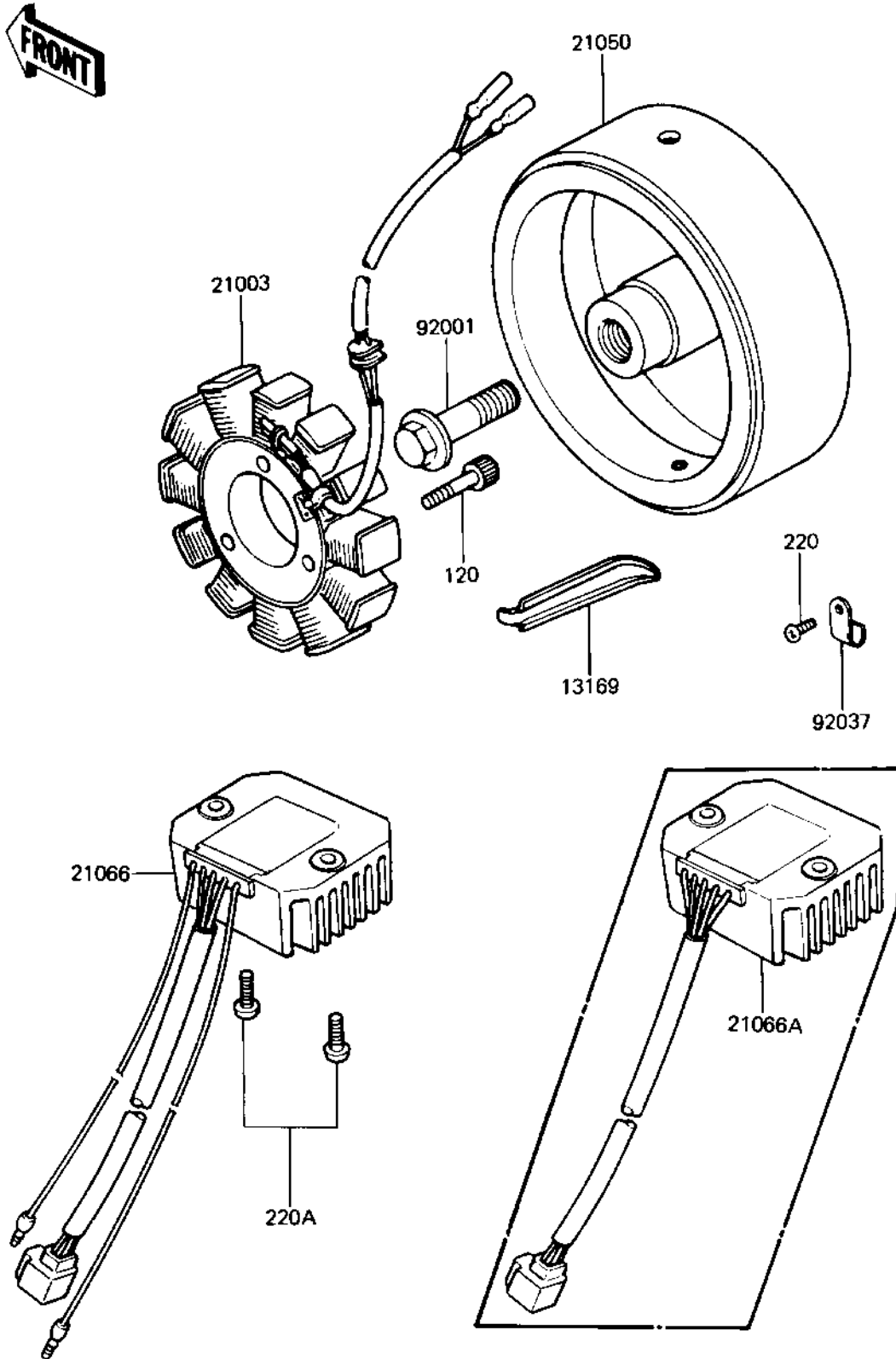


1982 LTD

PARTS DIAGRAM

GENERATOR/REGULATOR ('81-'83 A2/A3/A4)

E1810-0070



1982 LTD

PARTS LIST

GENERATOR/REGULATOR ('81-'83 A2/A3/A4)

ITEM NAME

PART NUMBER

QUANTITY
