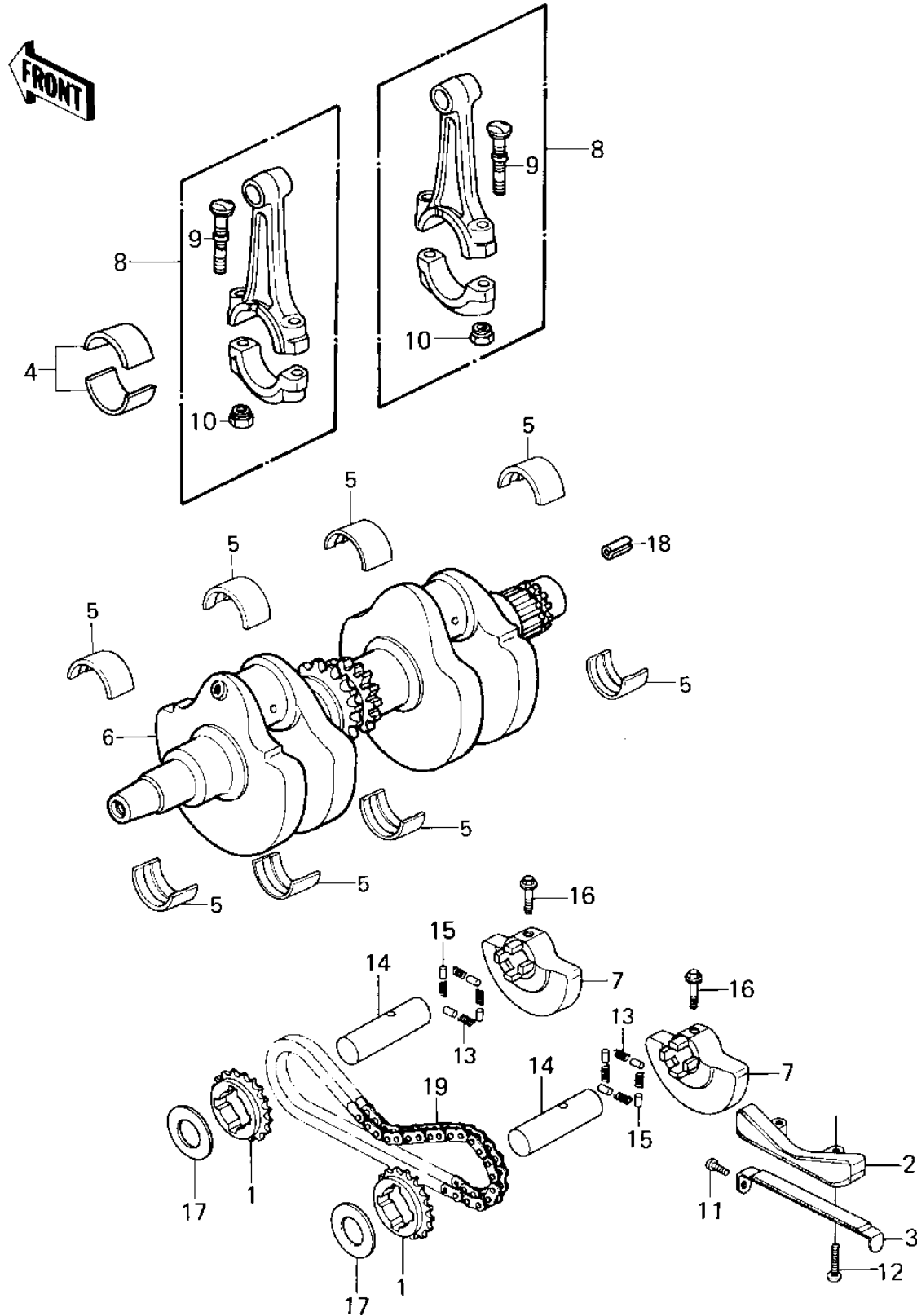


# 1980 LTD

## PARTS DIAGRAM

### CRANKSHAFT/BALANCER ('80 A1)



# 1980 LTD

## PARTS LIST

### CRANKSHAFT/BALANCER ('80 A1)

**ITEM NAME**

**PART NUMBER**

**QUANTITY**

---