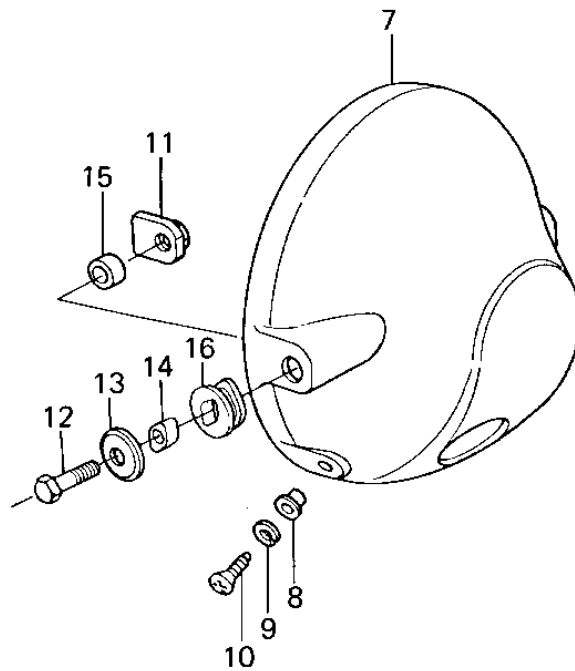
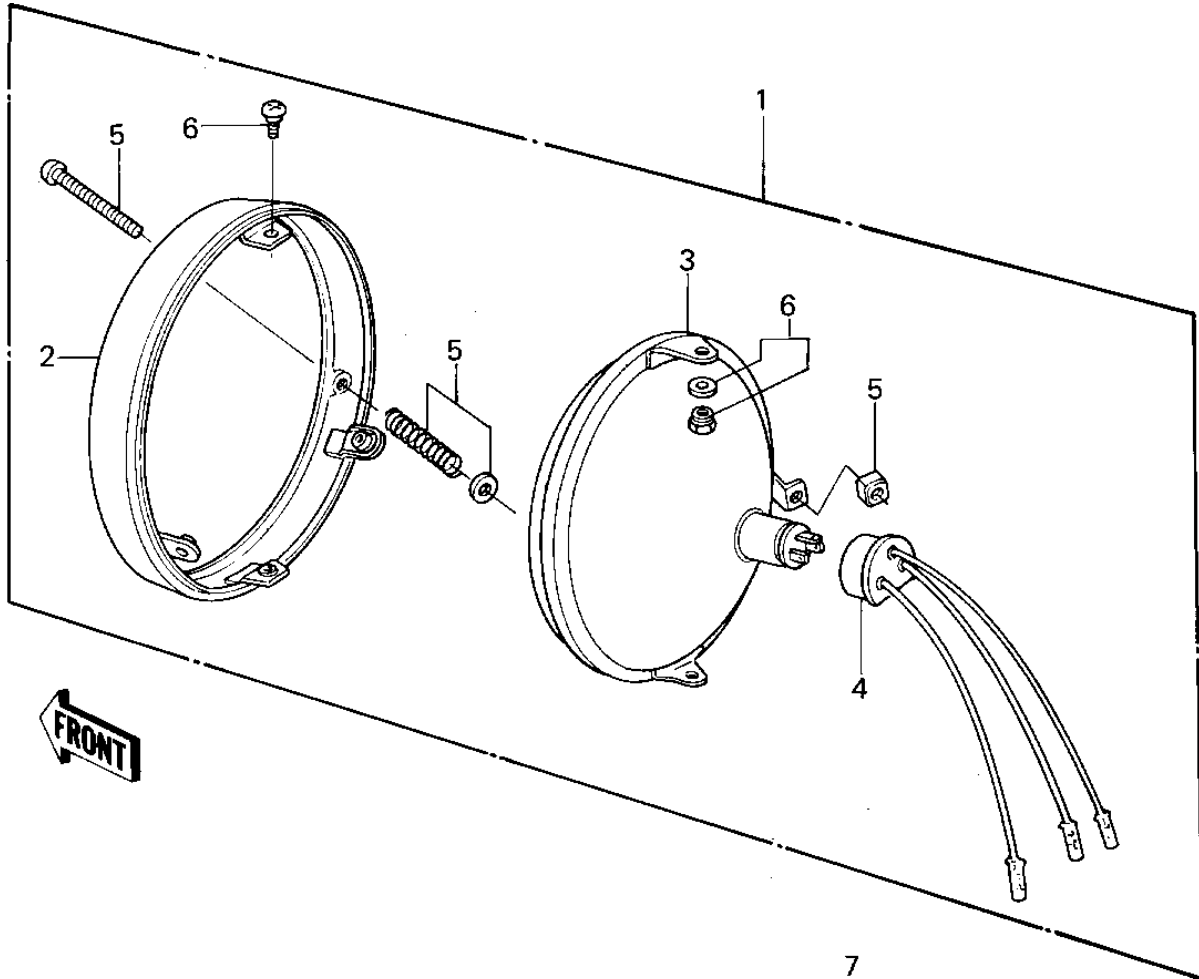


# 1980 LTD Belt

## PARTS DIAGRAM HEADLIGHT ('80 D1)



# 1980 LTD Belt

## PARTS LIST

### HEADLIGHT ('80 D1)

| ITEM NAME                       | PART NUMBER  | QUANTITY |
|---------------------------------|--------------|----------|
| LIGHT UNIT HEAD (Ref # 1)       | 23003-022    | 1        |
| RIM HEAD LIGHT (Ref # 2)        | 23006-044    | 1        |
| LENS UNIT HEAD LIGHT (Ref # 3)  | 23007-059    | 1        |
| SOCKET ASSY,HEAD LAMP (Ref # 4) | 23008-037    | 1        |
| SCREW ASY FOCUS ADJST (Ref # 5) | 23013-008    | 1        |
| SCREW ASY LENS UNIT (Ref # 6)   | 23013-009    | 2        |
| BODY,HEAD LIGHT,BLACK (Ref # 7) | 23005-047-21 | 1        |
| WASHER (Ref # 8)                | 23021-010    | 2        |
| WASHER SPRING 5MM (Ref # 9)     | 461F0500     | 2        |
| SCREW-PAN HEAD,5MM (Ref # 10)   | 92011-024    | 2        |
| NUT 10MM (Ref # 11)             | 23020-021    | 2        |
| BOLT,10MM (Ref # 12)            | 92007-024    | 2        |
| WASHER,PLAIN (Ref # 13)         | 92022-289    | 2        |
| COLLAR,HEAD LAMP (Ref # 14)     | 92027-1129   | 2        |
| COLLAR,HEAD LIGHT (Ref # 15)    | 92027-231    | 2        |
| DAMPER RUBBER (Ref # 16)        | 92075-128    | 2        |