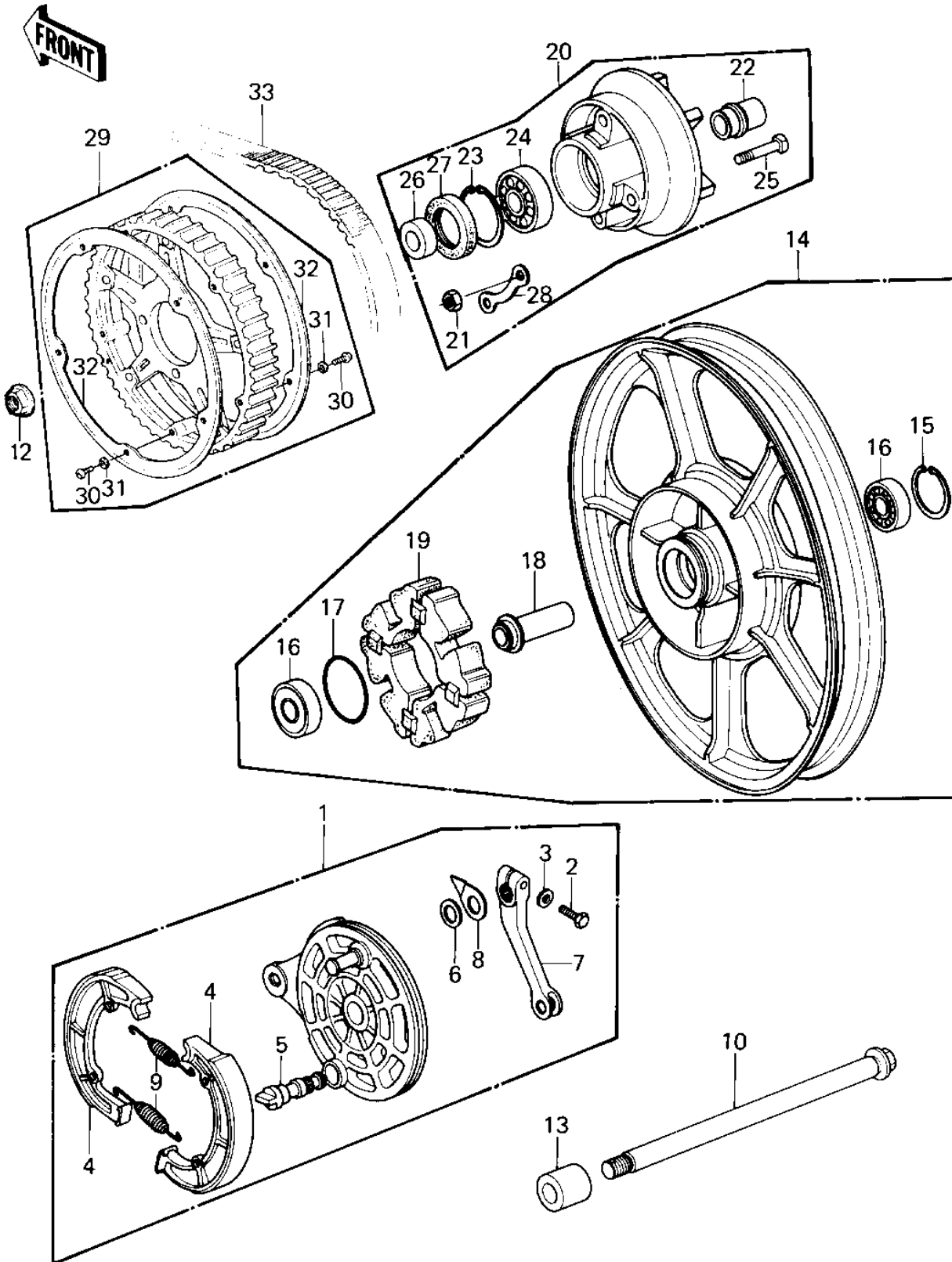


1980 LTD Belt

PARTS DIAGRAM

REAR WHEEL/HUB/BRAKE/BELT ('80 D1)



1980 LTD Belt

PARTS LIST

REAR WHEEL/HUB/BRAKE/BELT ('80 D1)

ITEM NAME	PART NUMBER	QUANTITY
PANEL-ASY,RR BRK (Ref # 1)	41035-1088	1
BOLT HEX HEAD 8X28 (Ref # 2)	114G0828	1
WASHER PLAIN 8MM (Ref # 3)	410B0800	1
SHOE-BRAKE (Ref # 4)	41048-1069	2
CAM,BRAKE (Ref # 5)	41050-1001	1
DUST SHIELD-BRAKE CAM (Ref # 6)	41051-003	1
LEVER,BRAKE CAM (Ref # 7)	41053-1001	1
INDICATOR,BRAKE SHOE (Ref # 8)	41085-004	1
SPRING-BRAKE SHOE (Ref # 9)	42020-004	2
AXLE,REAR (Ref # 10)	41068-1024	1
PIN,COTTER,4.0X25 (Ref # 11)	550D4025	1
NUT,16M/M (Ref # 12)	92015-1041	1
COLLAR,REAR AXLE,R.H. (Ref # 13)	92027-1198	1
SOLID WHEEL ASSY,REAR (Ref # 14)	41073-1055	1
CIRCLIP,47M/M (Ref # 15)	92033-1042	1
BEARING BALL #6303Z (Ref # 16)	601B6303Z	2
"0" RING,60MM (Ref # 17)	671B2560	1
COLLAR,REAR HUB BRG (Ref # 18)	92027-1196	1
DAMPER,REAR HUB SHOCK (Ref # 19)	92075-1008	1
COUPLING ASSY,RR HUB (Ref # 20)	42033-1011	1
NUT,10MM (Ref # 21)	314B1000	4
SLEEVE,COUPLING (Ref # 22)	42036-1002	1
RING,SNAP,56.2M/M (Ref # 23)	92033-1043	1
BEARING BALL #6205 (Ref # 24)	601B6205	1
BOLT, RR SPROCKET FIT (Ref # 25)	92003-156	4
COLLAR REAR AXLE,L.H. (Ref # 26)	92027-1197	1
OIL SEAL WTC35527 (Ref # 27)	92052-006	1
WASHER SPROCKET LOCK (Ref # 28)	92088-005	2
SPROCKET-HUB,60T (Ref # 29)	42041-5002	1

1980 LTD Belt

PARTS LIST

REAR WHEEL/HUB/BRAKE/BELT ('80 D1)

ITEM NAME	PART NUMBER	QUANTITY
SCREW PAN HEAD 5X8 (Ref # 30)	220B0508	10
WASHER SPRING 5MM (Ref # 31)	461F0500	10
RING,REAR SPROCKET (Ref # 32)	43058-1013	2
BELT,DRIVE (Ref # 33)	59011-1001	1