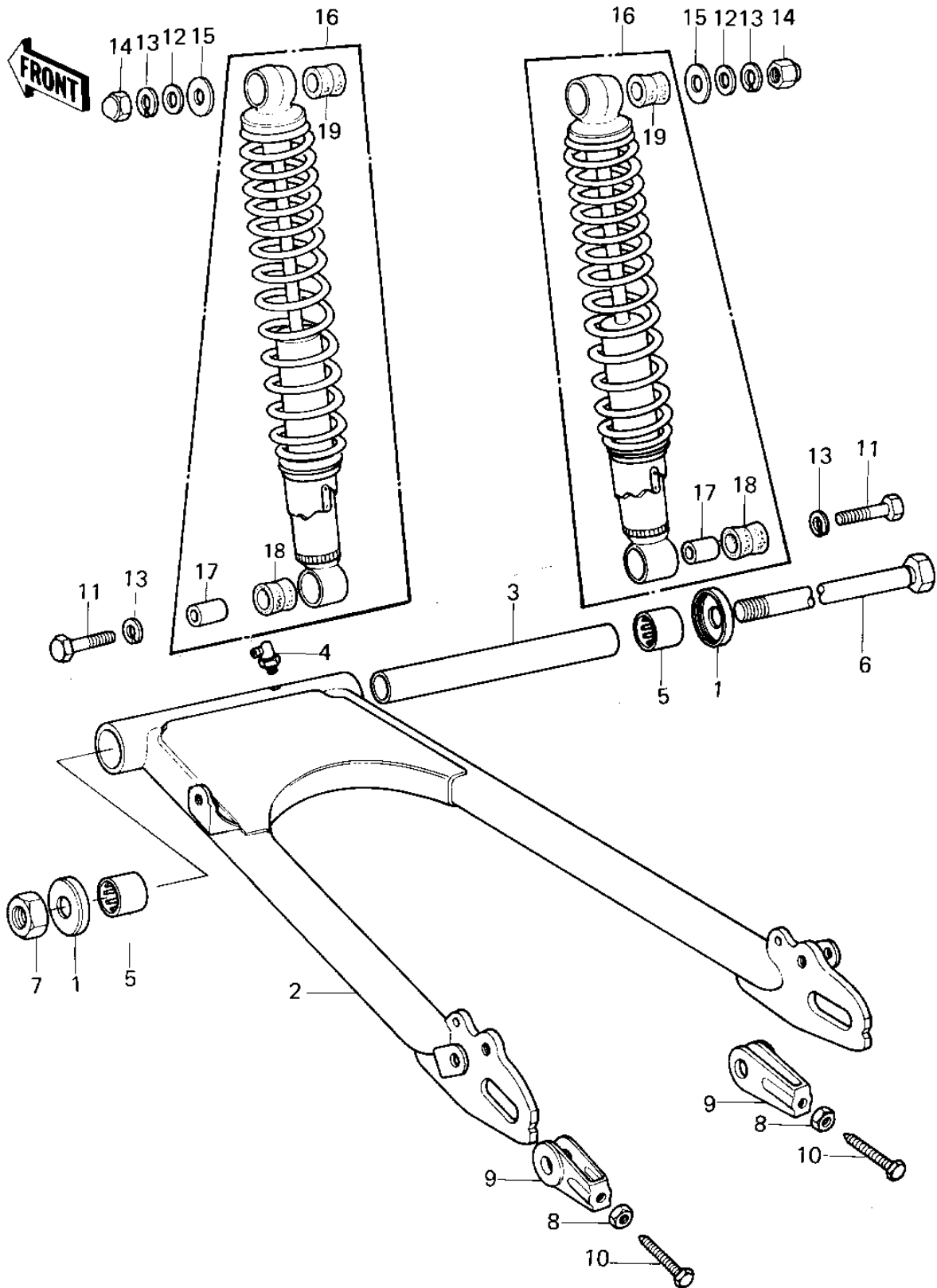


1980 LTD Belt

PARTS DIAGRAM

SWING ARM/SHOCK ABSORBERS ('80 D1)



1980 LTD Belt

PARTS LIST

SWING ARM/SHOCK ABSORBERS ('80 D1)

ITEM NAME	PART NUMBER	QUANTITY
CAP,SWING ARM (Ref # 1)	11012-1029	2
ARM-COMP-SWING (Ref # 2)	33001-1107	1
SLEEVE,SWING ARM (Ref # 3)	42036-1017	1
GREASE NIPPLE (Ref # 4)	92005-002	1
BEARING-NEEDLE,HK2216 (Ref # 5)	92046-1115	2
SHAFT,SWING ARM PIVOT (Ref # 6)	33032-1011	1
NUT-LOCK,14MM (Ref # 7)	92019-011	1
NUT 8MM (Ref # 8)	312B0800	2
ADJUSTER-CHAIN (Ref # 9)	33040-043	2
BOLT,8X50 (Ref # 10)	92001-1399	2
BOLT HEX HEAD 10X35 (Ref # 11)	113N1035	2
WASHER PLAIN 10MM (Ref # 12)	411B1000	2
WASHER SPRING 10MM (Ref # 13)	461F1000	4
NUT SHOCK ABSORBER (Ref # 14)	92020-003	2
WASHER-PL-10.5X26X2.3 (Ref # 15)	92022-044	2
SHOCK ABSBR RR (Ref # 16)	45014-1072	2
BUSHING,SHOCK ABSORB (Ref # 17)	45016-008	2
BUSHING, SHCK ABS RUB (Ref # 18)	45017-012	2
BUSHING,SHCK ABS RUB (Ref # 19)	45017-015	2