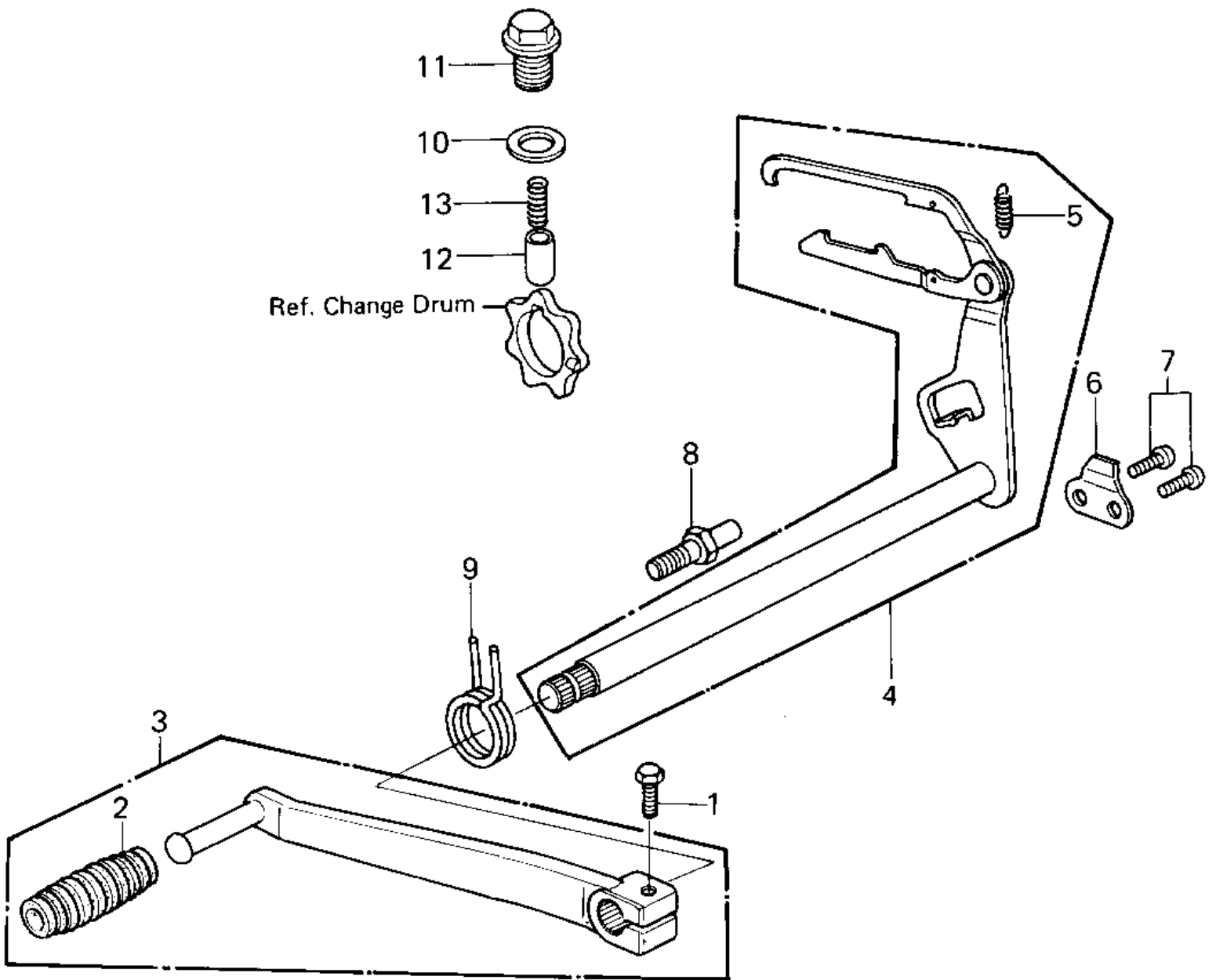


1980 LTD Belt

PARTS DIAGRAM

GEAR CHANGE MECHANISM ('80 D1)



1980 LTD Belt

PARTS LIST

GEAR CHANGE MECHANISM ('80 D1)

ITEM NAME	PART NUMBER	QUANTITY
BOLT-UPSET,6X20 (Ref # 1)	112G0620	1
DAMPER,CHANGE PEDAL (Ref # 2)	92160-1036	1
PEDAL ASSY,GEAR CHANG (Ref # 3)	13242-1019	1
LEVER COMP,CHNG SHAFT (Ref # 4)	13161-1001	1
SPRING-CHANGE LEVER (Ref # 5)	92081-076	1
PLATE,GEAR SHIFT LEV (Ref # 6)	13169-011	1
SCREW PAN HEAD 6X16 (Ref # 7)	220B0616	2
BOLT,RETURN SPRING (Ref # 8)	92001-1401	1
SPRING,CHG PEDL RTRN (Ref # 9)	92083-028	1
GASKET,15.5X22X1 (Ref # 10)	11009-1008	1
BOLT,NEUTRAL POSITION (Ref # 11)	92001-1037	1
PIN-NEUTRAL POSITION (Ref # 12)	92043-076	1
SPRING (Ref # 13)	92081-112	1