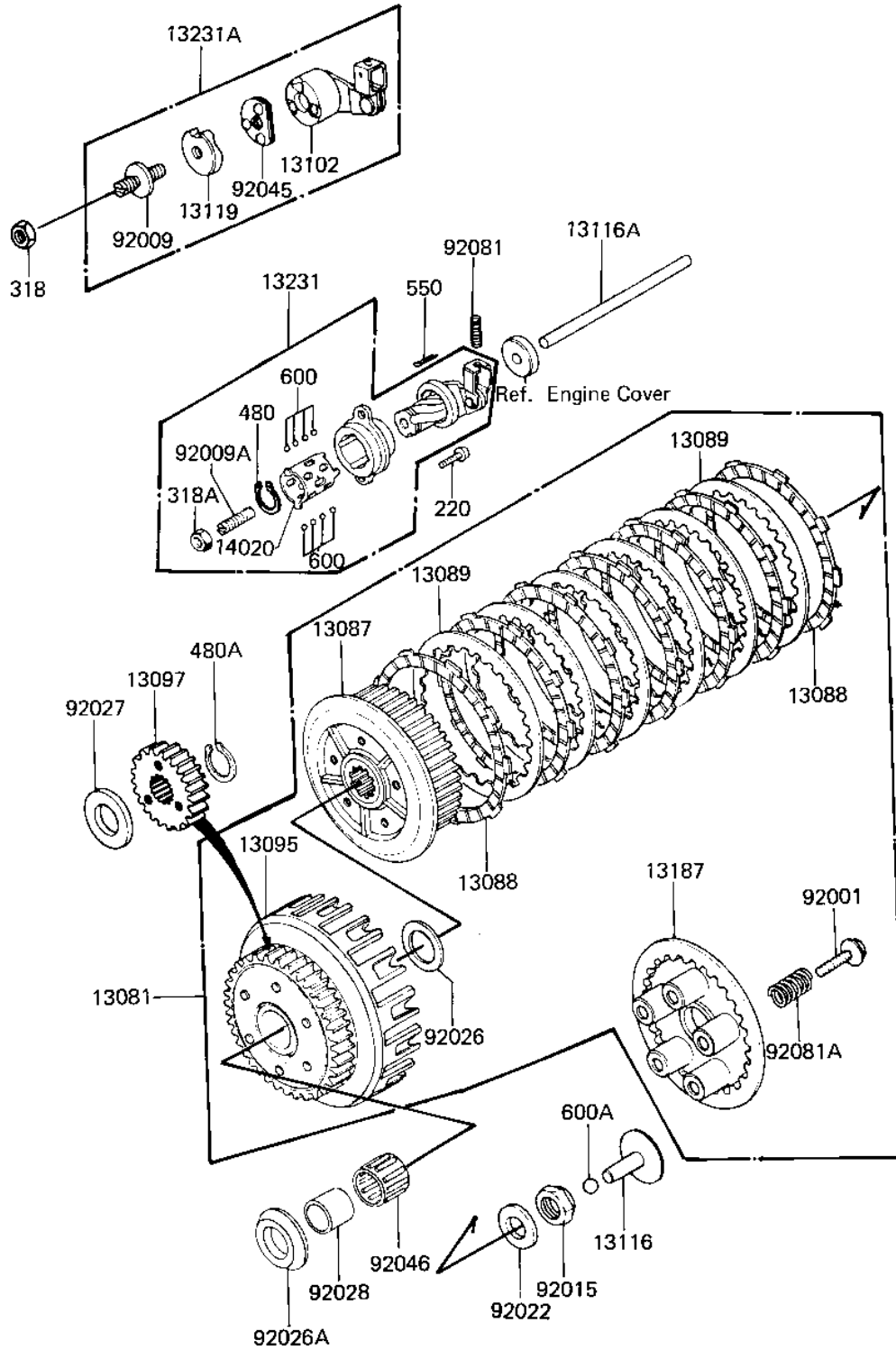


# 1981 KZ750-E2

## PARTS DIAGRAM

### CLUTCH ('81 -'82 KZ750-E2/E3)

E1350-0023



# 1981 KZ750-E2

## PARTS LIST

### CLUTCH ('81 -'82 KZ750-E2/E3)

| ITEM NAME                            | PART NUMBER | QUANTITY |
|--------------------------------------|-------------|----------|
| CLUTCH-ASSY (Ref # 13081)            | 13081-1034  | 1        |
| HUB,CLUTCH (Ref # 13087)             | 13087-043   | 1        |
| PLATE,CLUTCH FRICTION (Ref # 13088)  | 13088-030   | 7        |
| PLATE,CLUTCH STEEL (Ref # 13089)     | 13089-022   | 6        |
| HOUSING,CLUTCH (Ref # 13095)         | 13095-1033  | 1        |
| GEAR,2ND SHAFT,29T (Ref # 13097)     | 13121-037   | 1        |
| RELEASE,CLUTCH (Ref # 13102)         | 13102-1008  | 1        |
| PUSHER,CLUTCH SPRG PL (Ref # 13116)  | 13116-022   | 1        |
| ROD,CLUTCH PUSH (Ref # 13116A)       | 13116-1007  | 1        |
| CAM,RELEASE,CLUTCH (Ref # 13119)     | 13119-1003  | 1        |
| PLATE,CLUTCH SPRING (Ref # 13187)    | 13187-006   | 1        |
| RELEASE ASSY,CLUTCH (Ref # 13231)    | 13231-020   | 1        |
| RETAINER (Ref # 14020)               | 13197-004   | 1        |
| BOLT,CLUTCH SPR FITT (Ref # 92001)   | 92001-1066  | 5        |
| SCREW,SLOTTED,8M/M (Ref # 92009)     | 92009-1009  | 1        |
| SCREW,SLOTTED,8X25 (Ref # 92009A)    | 92014-014   | 1        |
| NUT,20MM (Ref # 92015)               | 92015-1555  | 1        |
| WASHER,PLAIN,2.3X20.3 (Ref # 92022)  | 92022-1116  | 1        |
| WASHER TH 25.5X47X2.5 (Ref # 92026)  | 92026-022   | 1        |
| SPACER,THRUST,T=5.5MM (Ref # 92026A) | 92026-116   | 1        |
| COLLAR,T=5MM (Ref # 92027)           | 92027-263   | 1        |
| BUSHING,CLUTCH (Ref # 92028)         | 92028-178   | 1        |
| BEARING,BALL,CLUTCH (Ref # 92045)    | 92045-1001  | 1        |
| BEARING,KTV323723 (Ref # 92046)      | 92046-028   | 1        |
| SPRING-CLUTCH RELEASE (Ref # 92081)  | 92081-069   | 1        |
| SPRING,CLUTCH (Ref # 92081A)         | 92081-1176  | 5        |
| SCREW PAN HEAD 6X16 (Ref # 220)      | 220B0616    | 2        |
| NUT 8MM (Ref # 318)                  | 318B0800    | 1        |
| NUT 8MM (Ref # 318A)                 | 318B0800    | 1        |

# 1981 KZ750-E2

## PARTS LIST

CLUTCH ('81 -'82 KZ750-E2/E3)

| ITEM NAME                     | PART NUMBER | QUANTITY |
|-------------------------------|-------------|----------|
| CIRCLIP 15MM (Ref # 480)      | 480J1500    | 1        |
| CIRCLIP,22MM (Ref # 480A)     | 480J2200    | 1        |
| PIN COTTER 1.6X15 (Ref # 550) | 550D1615    | 1        |
| BALL,STEEL,1/8" (Ref # 600)   | 600A0400    | 11       |
| BALL STEEL 3/8' (Ref # 600A)  | 600A1200    | 1        |