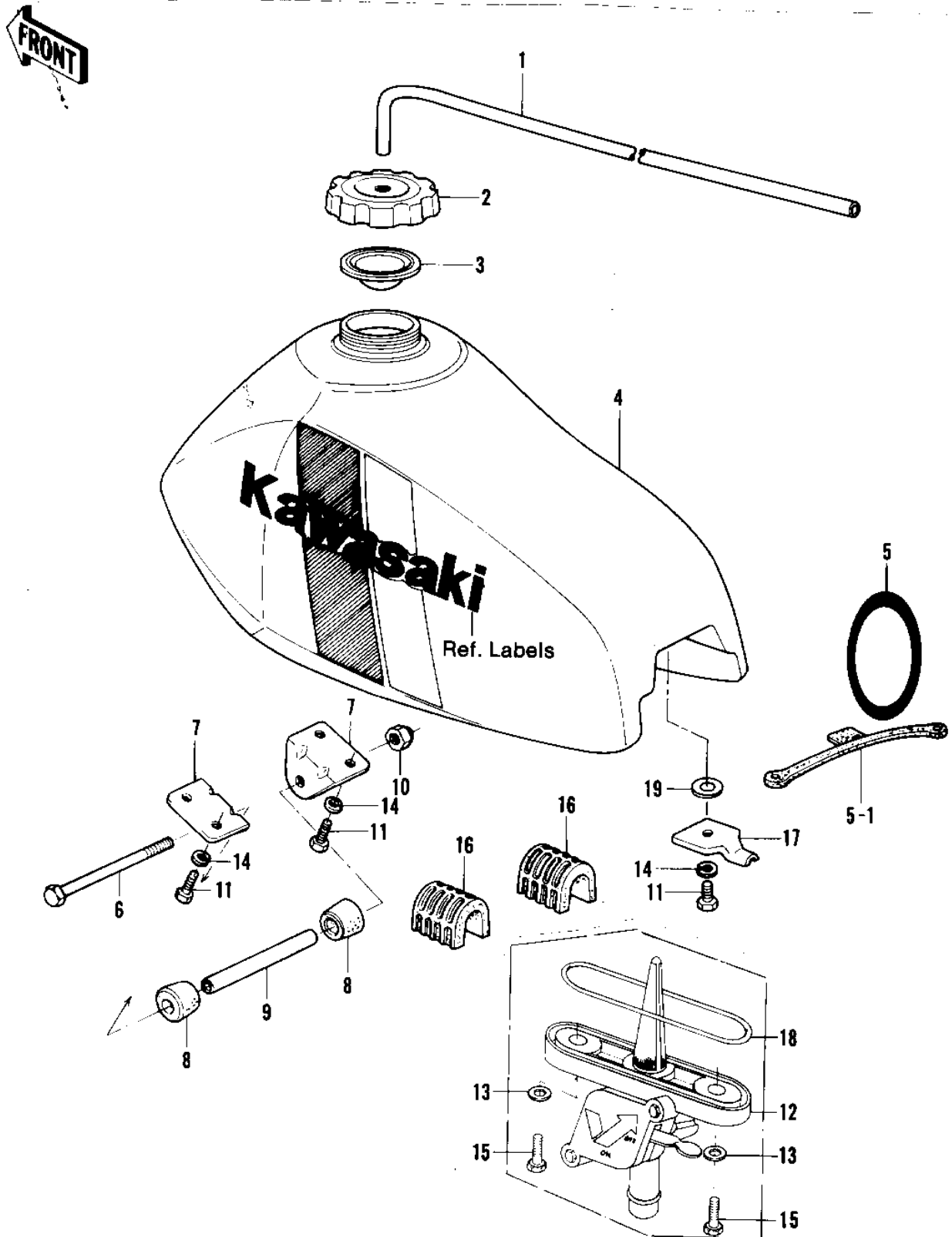


1980 KX250

PARTS DIAGRAM

FUEL TANK



1980 KX250

PARTS LIST

FUEL TANK

Kawasaki

Let the Good Times Roll®

ITEM NAME	PART NUMBER	QUANTITY
TUBE,5X5.6X280 (Ref # 1)	92059-1109	1
CAP-TANK,FUEL (Ref # 2)	51049-1006	1
GASKET,FUEL TANK (Ref # 3)	11009-1452	1
TANK-FUEL,L.GREEN (Ref # 4)	51001-1030-7F	1
"O" RING,70MM (Ref # 5)	671B2570	1
BAND,FUEL TANK (Ref # 5-1)	92072-042	1
BOLT-UPSET,6X105 (Ref # 6)	112G06105	1
BRACKET,TANK (Ref # 7)	32052-1031	2
DAMPER,FUEL TANK FITT (Ref # 8)	92075-1220	2
COLLAR,FUEL TANK FITT (Ref # 9)	92027-1228	1
NUT (Ref # 10)	92019-008	1
BOLT-UPSET,6X12 (Ref # 11)	112G0612	5
COCK ASSY,FUEL (Ref # 12)	51023-4002	1
WASHER-PLAIN (Ref # 13)	92022-183	2
WASHER SPRING 6MM (Ref # 14)	461F0600	5
BOLT-HEX HEAD,6X16 (Ref # 15)	92001-114	2
DAMPER,FUEL TANK (Ref # 16)	92075-1221	2
DAMPER,FUEL TANK (Ref # 16)	92075-1277	2
BRACKET,FUEL TANK (Ref # 17)	32052-1009	1
"O" RING (Ref # 18)	51039-003	1
WASHER (Ref # 19)	92022-4013	1