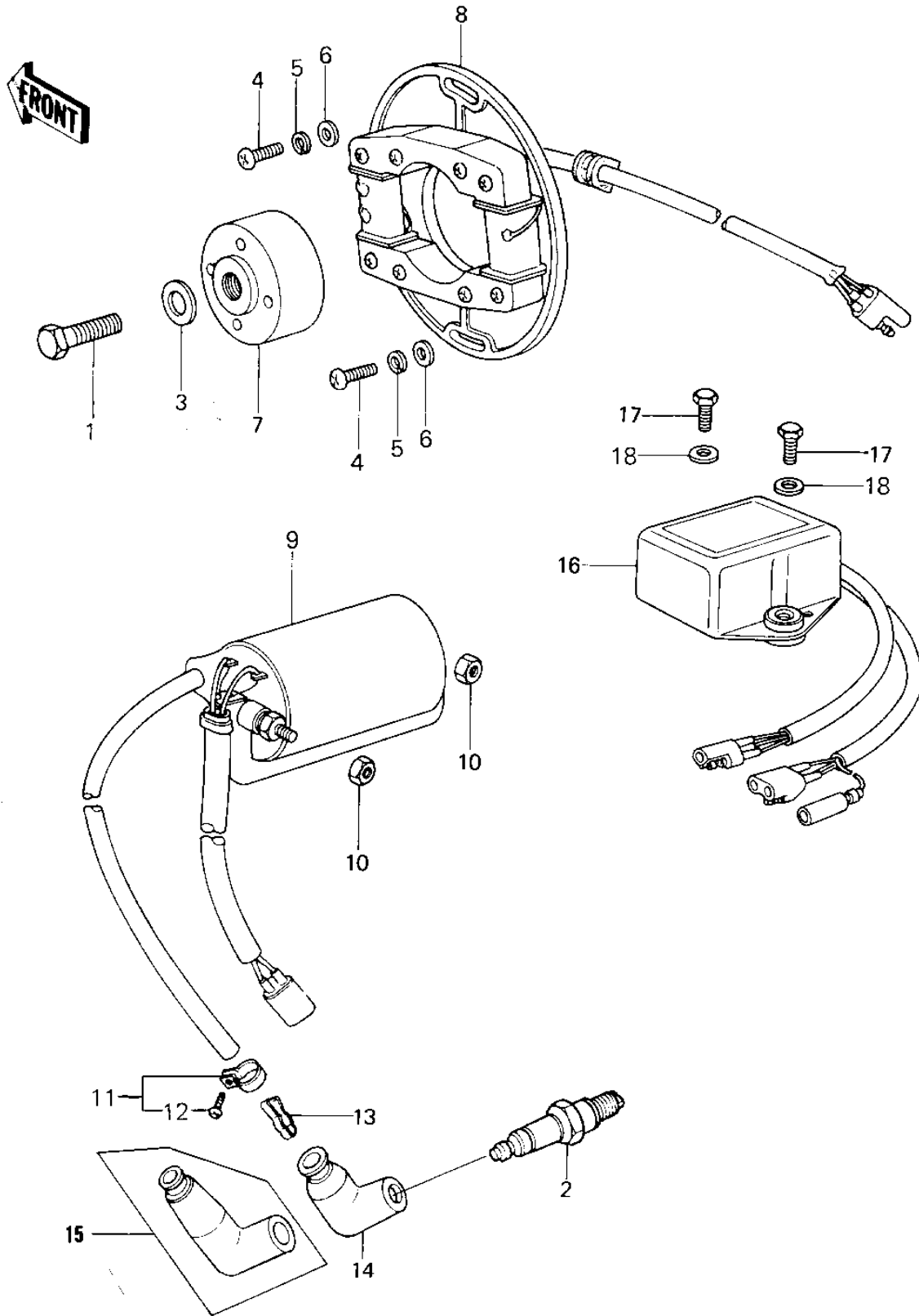


1981 KX250

PARTS DIAGRAM

IGNITION



1981 KX250

PARTS LIST

IGNITION

Kawasaki

Let the Good Times Roll®

ITEM NAME	PART NUMBER	QUANTITY
BOLT (Ref # 1)	92001-1578	1
BOLT-HEX HEAD 8X30 (Ref # 1)	114G0830	1
SPARK PLUG B9EV (Ref # 2)	B9EV	1
SPARK PLUG BR9EV (Ref # 2)	92070-3002	1
WASHER,PLAIN,8MM (Ref # 3)	92022-276	1
SCREW PAN HEAD 6X25 (Ref # 4)	220B0625	1
WASHER SPRING 6MM (Ref # 5)	461F0600	1
WASHER PLAIN 6MM (Ref # 6)	411B0600	1
ROTOR,MAGNETO (Ref # 7)	21007-1028	1
STATOR ASSY,MAGNETO (Ref # 8)	21003-1033	1
COIL,IGNITION (Ref # 9)	21121-1007	1
NUT (Ref # 10)	92019-008	1
CLAMP,SPARK PLUG CAP (Ref # 11)	92037-1173	1
SCREW-PAN-CROS (Ref # 12)	220B0310	1
SCREW-PAN-CROS (Ref # 12)	220B0310	1
TERMINAL,PLUG CAP (Ref # 13)	21169-001	1
CAP,SPARK PLUG (Ref # 14)	21130-1006	1
CAP ASSY,SPARK PLUG (Ref # 15)	21160-1009	1
IGNITER (Ref # 16)	21119-1018	1
BOLT-UPSET (Ref # 17)	112G0618	1
WASHER PLAIN (Ref # 18)	92022-024	1