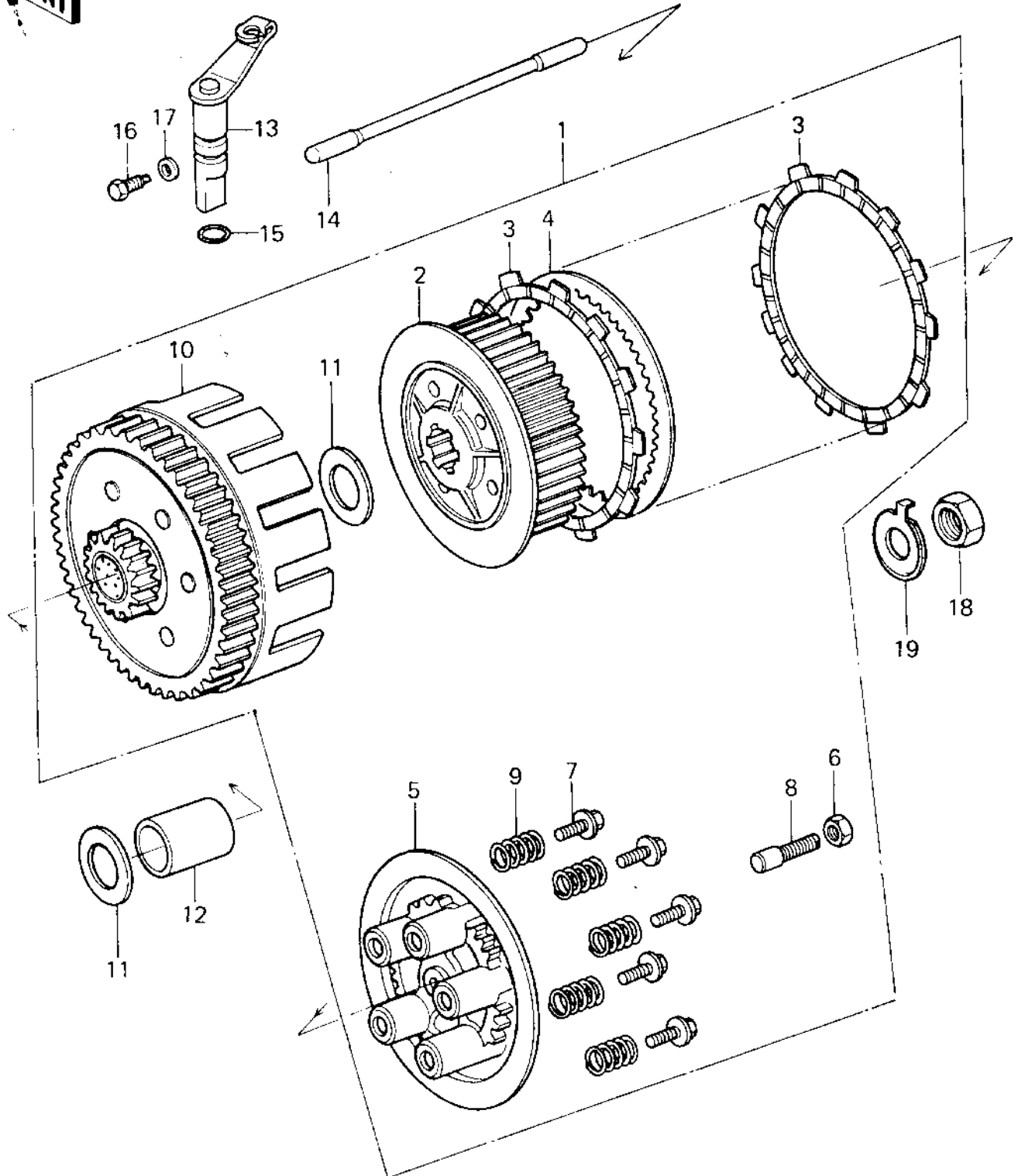


1980 KX250

PARTS DIAGRAM

CLUTCH

FRONT



1980 KX250

PARTS LIST

CLUTCH

ITEM NAME	PART NUMBER	QUANTITY
CLUTCH-ASSY (Ref # 1)	13081-1038	1
HUB,CLUTCH (Ref # 2)	13087-044	1
PLATE,CLUTCH FRICTION (Ref # 3)	13088-041	6
PLATE,CLUTCH STEEL (Ref # 4)	13089-025	5
PLATE-CLUTCH OPERATIN (Ref # 5)	13187-1009	1
NUT 8MM (Ref # 6)	318G0800	1
NUT,LOCK,8MM (Ref # 6)	92015-1124	1
BOLT,CLUTCH SPR FITT (Ref # 7)	92001-1066	5
SCREW,SLOTTED,8X35 (Ref # 8)	92014-017	1
SPRING,CLUTCH (Ref # 9)	92081-1151	5
HOUSING,CLUTCH (Ref # 10)	13095-1026	1
WASHER,CLUTCH THRUST (Ref # 11)	92022-282	2
BUSHING,CLUTCH (Ref # 12)	92028-1076	1
LEVER ASSY,CLUTCH RLS (Ref # 13)	13102-1005	1
RELEASE,CLUTCH (Ref # 13)	13102-1006	1
ROD,CLUTCH PUSH (Ref # 14)	13116-1021	1
"O" RING,12MM (Ref # 15)	670B2012	1
"O" RING, 10MM (Ref # 15)	670B2010	1
BOLT,CLUTCH RELEASE (Ref # 16)	92003-130	1
GASKET,R.H ENG COVER (Ref # 17)	92065-092	1
NUT,LOCK,16MM (Ref # 18)	92015-072	1
WASHER,LOCK,16M/M (Ref # 19)	92024-076	1