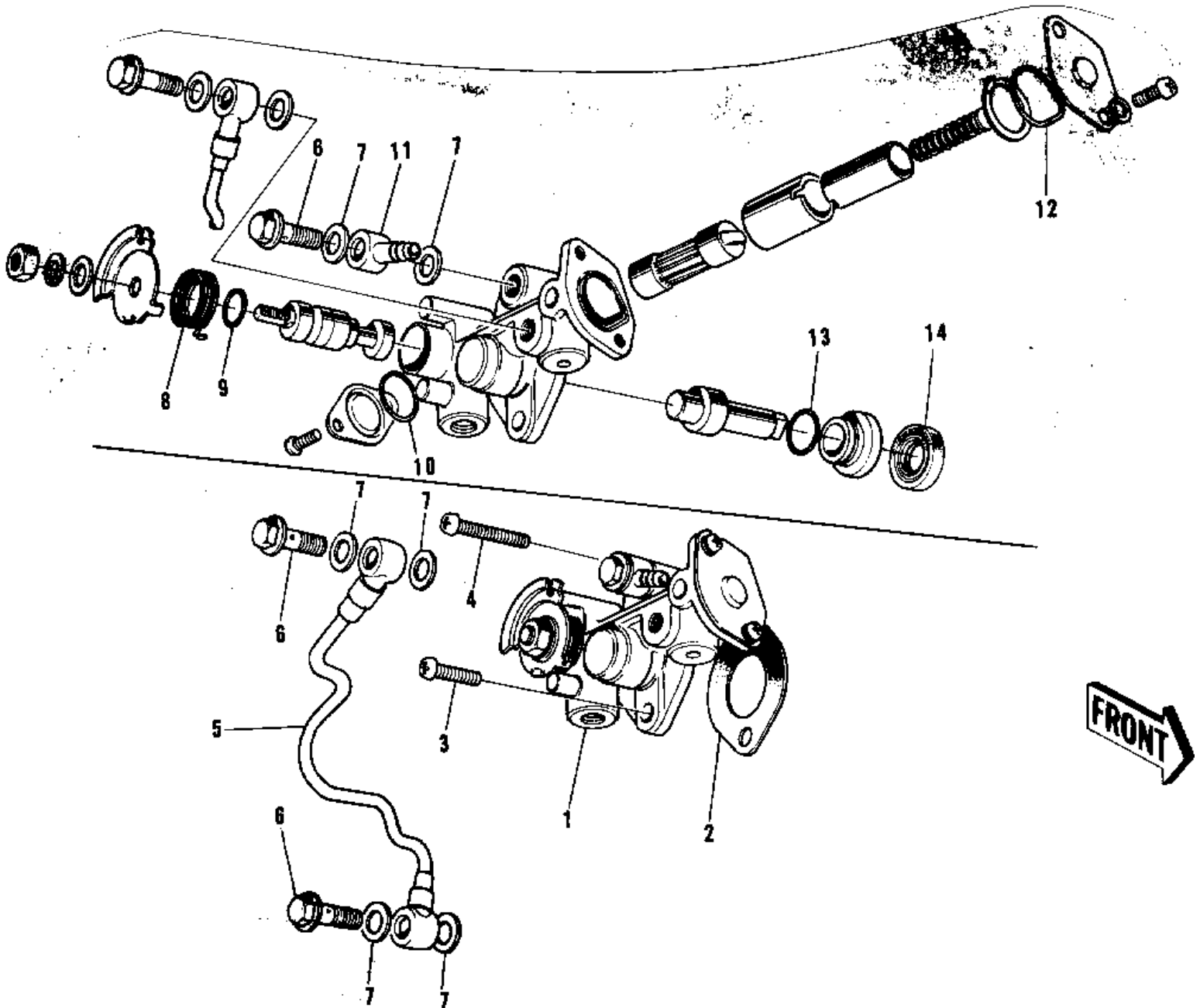


1972 F9

PARTS DIAGRAM

OIL PUMP ('74-'75 F9-B/F9-C 350)



1972 F9

PARTS LIST

OIL PUMP ('74-'75 F9-B/F9-C 350)

ITEM NAME

PART NUMBER

QUANTITY
