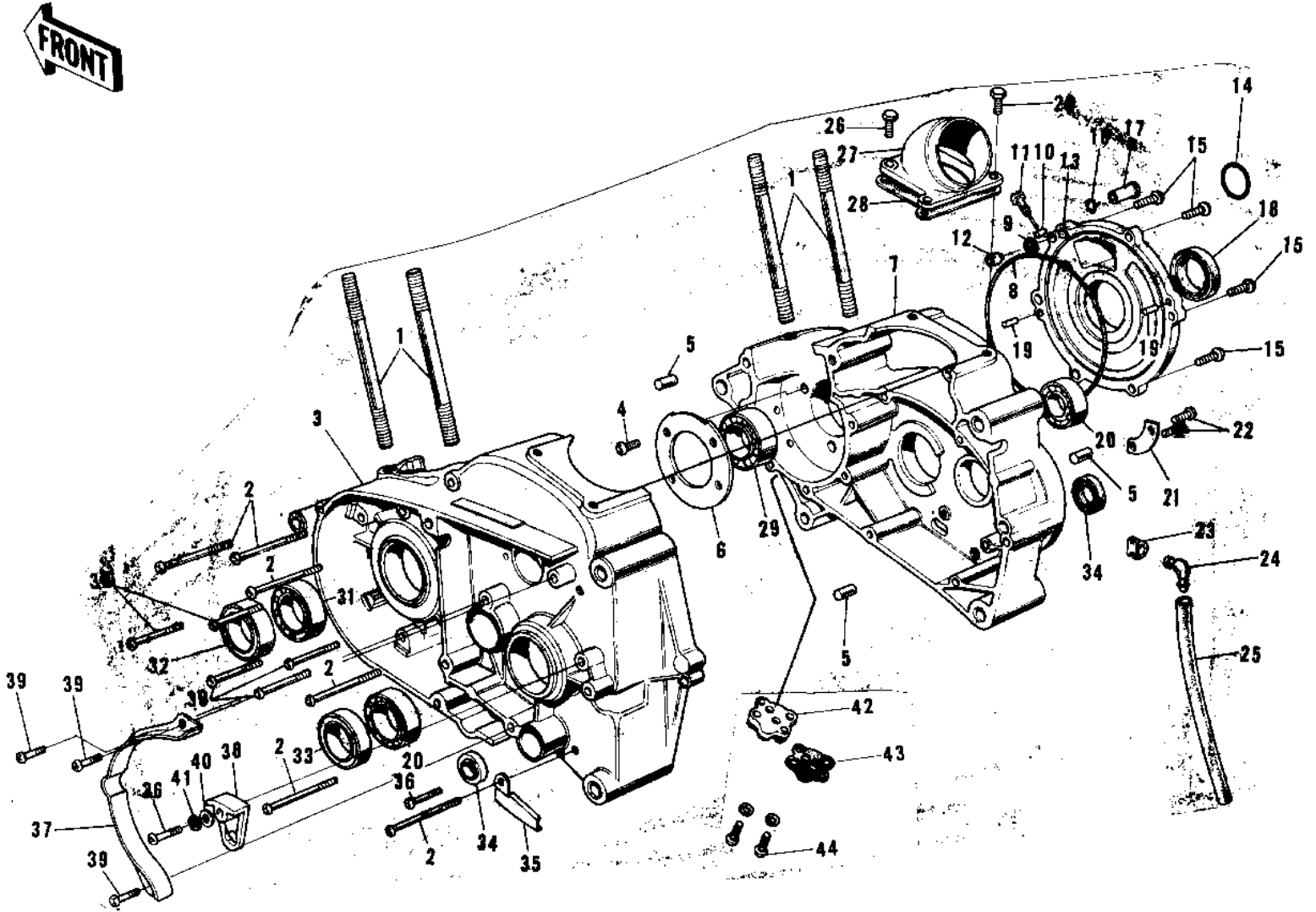


# 1972 F9

## PARTS DIAGRAM

### CRANKCASE ('74-'75 F9-B/F9-C 350)



# 1972 F9

## PARTS LIST

CRANKCASE ('74-'75 F9-B/F9-C 350)

**ITEM NAME**

**PART NUMBER**

**QUANTITY**

---