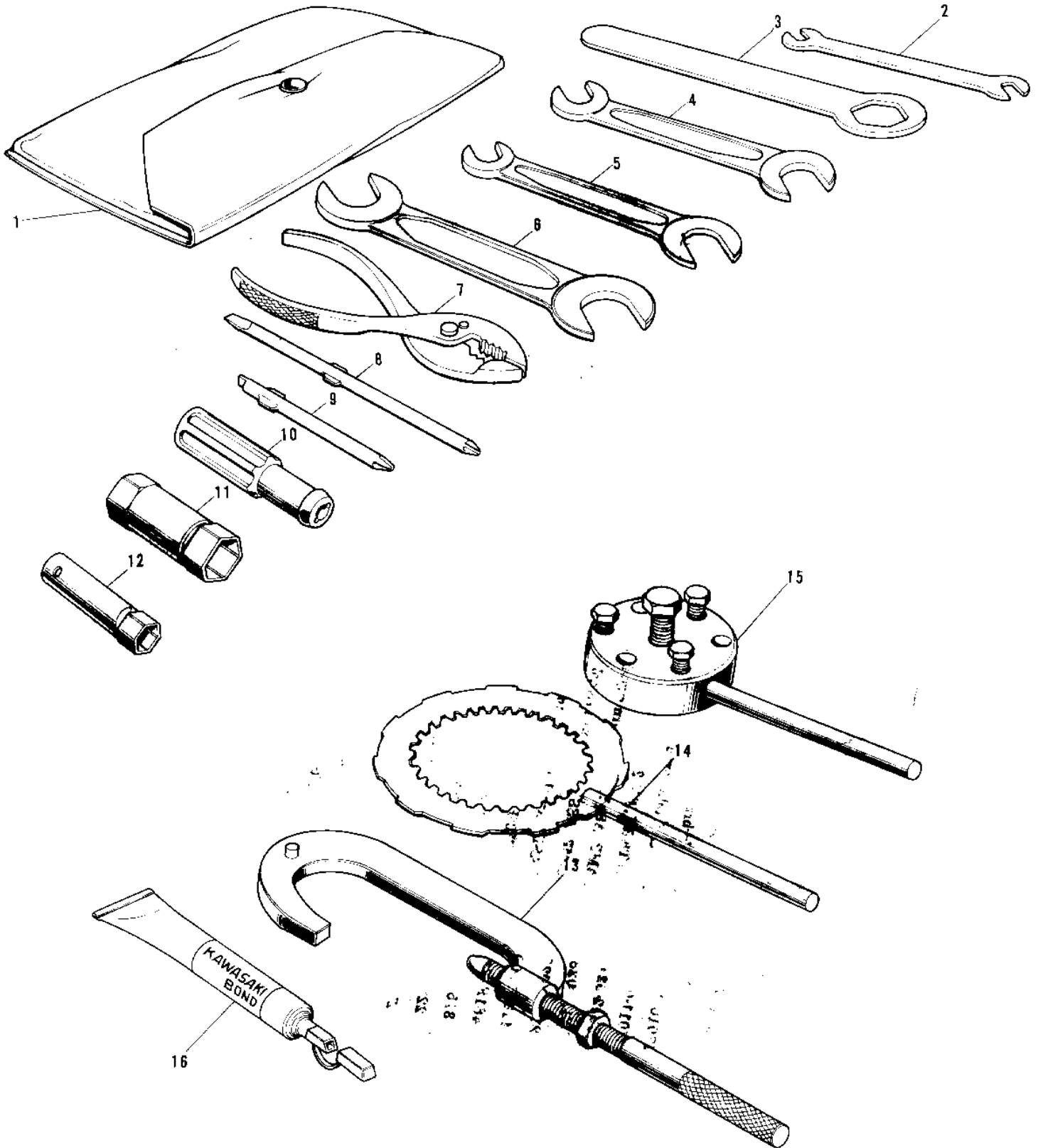


1972 F9

PARTS DIAGRAM

OWNER TOOLS/SPECIAL SERVICE TOOLS ('72-')



1972 F9

PARTS LIST

OWNER TOOLS/SPECIAL SERVICE TOOLS ('72-'

ITEM NAME

PART NUMBER

QUANTITY
