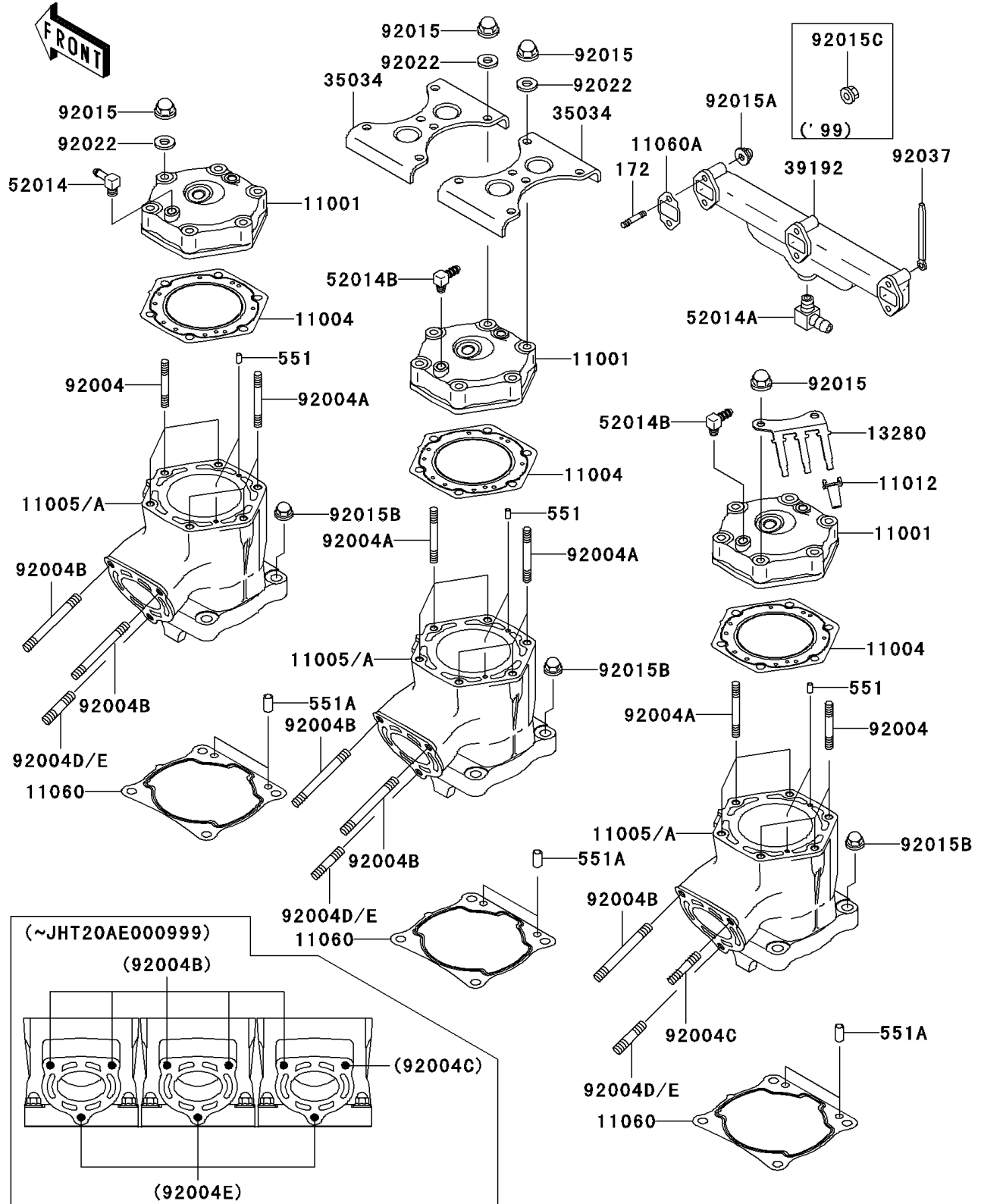


# 2002 Ultra 150

## PARTS DIAGRAM

### Cylinder Head/Cylinder

E1110



# 2002 Ultra 150

## PARTS LIST

### Cylinder Head/Cylinder

**ITEM NAME**

**PART NUMBER**

**QUANTITY**

---