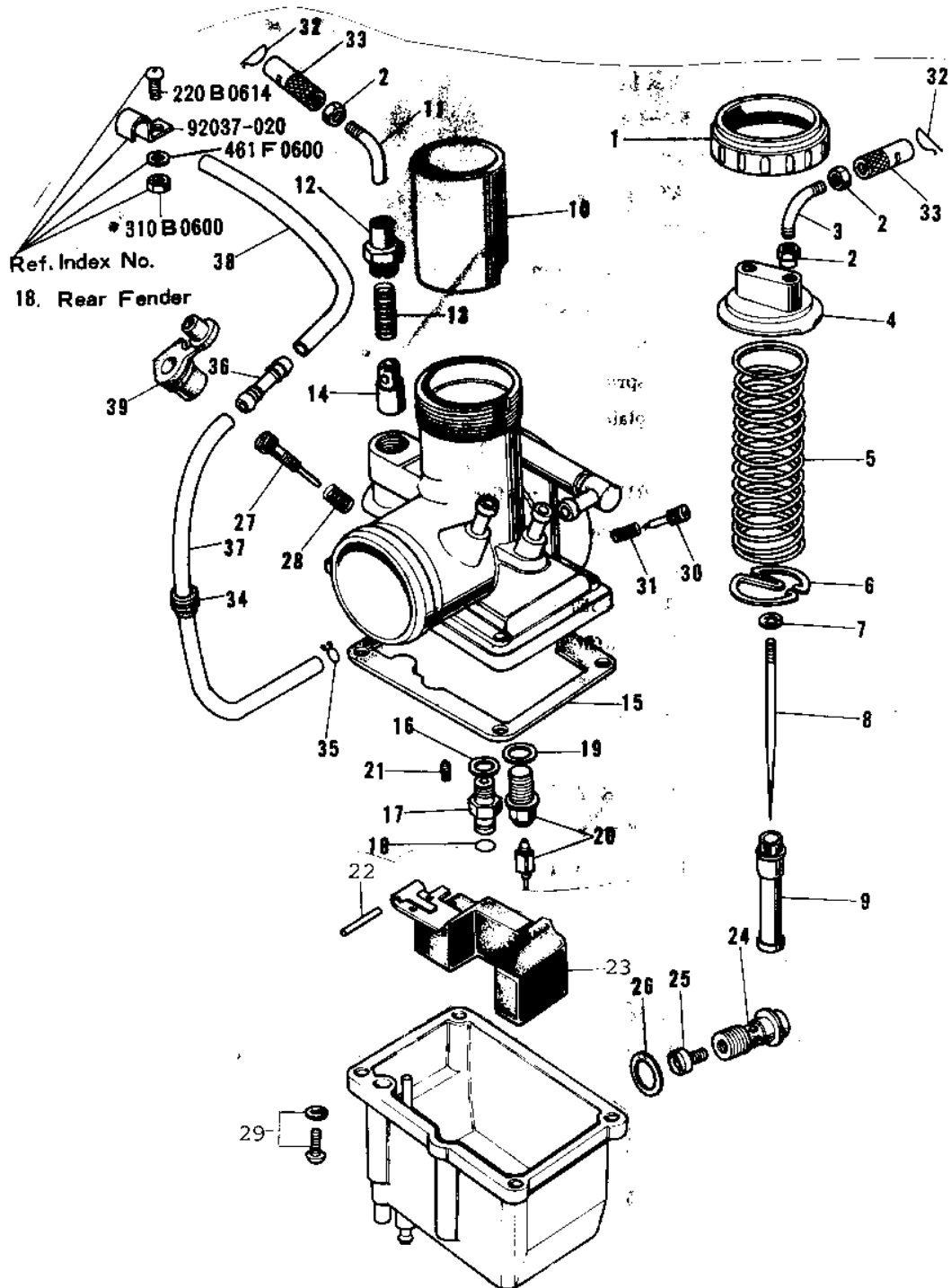


1972 F9

PARTS DIAGRAM

CARBURETOR ('72-'73 F9/F9-A 350)



1972 F9

PARTS LIST

CARBURETOR ('72-'73 F9/F9-A 350)

ITEM NAME	PART NUMBER	QUANTITY
CARBURETOR ASSY (Ref # 1~31)	16001-140	1
CARBURETOR ASSY (Ref # 1~31)	16001-161	1
CAP MIXING CHAMBER (Ref # 1)	16004-006	1
NUT CABLE ADJUST LOC (Ref # 2)	16003-004	3
CABLE GUIDE (Ref # 3)	16077-001	1
TOP MIXING CHAMBER (Ref # 4)	16005-016	1
SPRING THROTTLE VALV (Ref # 5)	16006-007	1
SPRING SEAT THRTL VL (Ref # 6)	16007-007	1
CIRCLIP (Ref # 7)	16008-010	1
JET NEEDLE,5EJ13 (Ref # 8)	16009-048	1
NEEDLE JET,O-G (Ref # 9)	16017-057	1
VALVE-THROTTLE,CA1.5 (Ref # 10)	16025-045	1
VALVE,THROTTLE CA2.0 (Ref # 11)	16025-052	1
CAP-STARTER PLUNGER (Ref # 12)	16012-013	1
SPRING-PLUNGER (Ref # 13)	16013-003	1
PLUNGER-ENRICHNER (Ref # 14)	16016-002	1
GASKET-FLOAT CHAMBER (Ref # 15)	16019-017	1
WASHER MAIN JET (Ref # 16)	16034-001	1
HOLDER-NEEDLE JET (Ref # 17)	16065-008	1
"0" RING (Ref # 18)	92055-044	1
WASHER FLOAT VLV SEA (Ref # 19)	16029-004	1
FLOAT VALVE ASSY (Ref # 20)	16030-005	1
PILOT JET,#10 (Ref # 21)	92064-034	1
PILOT JET,#17.5 (Ref # 21)	92064-046	1
FLOAT PIN (Ref # 22)	16032-006	1
FLOAT (Ref # 23)	16031-022	1
BOLT-BANJO (Ref # 24)	92001-097	1
MAIN JET NO 120R (Ref # 25)	92063-078	1
GASKET-BANJO BOLT (Ref # 26)	16034-005	1

1972 F9

PARTS LIST

CARBURETOR ('72-'73 F9/F9-A 350)

ITEM NAME	PART NUMBER	QUANTITY
SCREW-THROTTLE STOP (Ref # 27)	16021-014	1
SPRING THR STOP SCRE (Ref # 28)	16022-005	1
SCREW-PAN-WS-CROS (Ref # 29)	223B0414	4
SCREW-PILOT AIR ADJS (Ref # 30)	16014-011	1
SPRING-THR STOP SCRE (Ref # 31)	16022-007	1
CIRCLIP (Ref # 32)	92036-018	2
CABLE ADJUSTER (Ref # 33)	16002-007	2
GROMMET PIPE (Ref # 34)	92071-038	1
CLAMP FUEL PIPE (Ref # 35)	92037-010	1
NIPPLE (Ref # 36)	92005-003	1
PIPE (Ref # 37)	92059-065	1
PIPE OIL TANK (Ref # 38)	92059-002	1